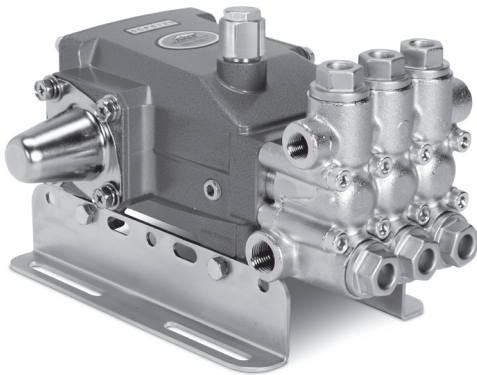


# DATA SHEET

## 5CP PLUNGER PUMP



**Brass Model: 5CP6120.44101**



Model 5CP6120.44101 Shown  
(Rails and shaft protector sold separately)

### FEATURES

- Field- tested, high-pressure triplex pump configured for high-temperature TEG (triethylene glycol) applications up to 240°F/115°C. May be used in other high-temperature applications with fluids possessing adequate lubrication properties. Contact Cat Pumps for more information.
- Positive displacement technology delivers optimum energy efficiency.
- TEG\* pump configuration option consists of following materials:
  - O-ring material throughout the pump: FPM elastomers.
  - Oil filler cap assembly: brass adapters, chrome-plated steel vented cap.
  - Rear sight gauge assembly: aluminum sight adapter and stainless steel sight gauge.
  - Seal retainers: aluminum.
  - Low-pressure seals and V-packings: special PTFE blends.

\* TEG pump configuration is denoted by adding ".44101" to the end of the pump model

### SPECIFICATIONS

	U.S. Measure	Metric Measure
Flow	7.4 gpm	28.0 lpm
Pressure Range	100–1500 psi	6.9–103 bar
Pump RPM*	1725 rpm	1725 rpm
Inlet Pressure Range	Flooded to 60 psi	Flooded to 4 bar
Max. Liquid Temperature	240°F	115°C
Bore	0.787"	20 mm
Stroke	0.709"	18 mm
Crankcase Capacity	17 oz.	0.51 l
Inlet Ports (2)	½" NPT(F)	½" NPT(F)
Discharge Ports (2)	⅜" NPT(F)	⅜" NPT(F)
Shaft Diameter	0.787"	20 mm
Pulley Mounting	Either Side	Either Side
Weight	19.9 lbs.	9 kg
Dimensions	11.04 x 10.0 x 6.75"	280 x 254 x 171 mm

\*Pump minimum is 100 RPM.

### ELECTRIC HORSEPOWER REQUIREMENTS

HORSE POWER	PRESSURE						FLOW		PUMP RPM
	PSI	BAR	PSI	BAR	PSI	BAR	GPM	LPM	
	900	62	1200	83	1500	103	7.4	28.0	1725
	4.6		6.1		7.6				

**DETERMINING THE PUMP R.P.M.**

$$\frac{\text{Rated gpm}}{\text{Rated rpm}} = \frac{\text{Desired gpm}}{\text{Desired rpm}}$$

**DETERMINING THE REQUIRED H.P.**

$$\frac{\text{gpm} \times \text{psi}}{1460} = \frac{\text{Electric Brake H. P. Required}}{\text{H. P. Required}}$$

**DETERMINING MOTOR PULLEY SIZE**

$$\frac{\text{Motor Pulley O.D.}}{\text{Pump rpm}} = \frac{\text{Pump Pulley O.D.}}{\text{Motor rpm}}$$

Refer to pump **Service Manual** for repair procedure and additional technical information.

# PARTS LIST

ITEM	PART NUMBER	MATL	DESCRIPTION	QTY
5	126542	STCP R	Screw, HHC, Sems (M8 x 16) (See Tech Bulletin 074)	8
8	46910	AL	Cover, Bearing	2
10	76028	FPM	O-ring, Bearing Cover – 75D	2
11	76236	FPM	Seal, Oil, Crankshaft	2
15	14480	STL	Bearing, Ball	2
20	48742	TNM	Rod, Connecting Assembly (See Tech Bulletin 074)	3
25	46928	FCM	Crankshaft, Dual End (M18)	1
31	76142	AL	Adapter, Breather	1
32	76797	BB	Cap, Vented	1
36	76792	SS	Gauge, Sight	1
37	76791	AL	Adapter, Sight (See Tech Bulletin 074)	1
38	44428	NBR	Gasket, Flat, Adapter – 80D	1
40	125824	STCP R	Screw, HHC, Sems (M6 x 16) (See Tech Bulletin 074)	4
48	25625	STCP	Plug, Drain (1/4" x 19 BSP)	1
49	30322	FPM	O-ring, Drain Plug	1
50	46940	AL	Cover, Rear	1
51	76234	FPM	O-ring, Rear Cover – 70D	1
53	48617	AL	Crankcase	1
64	46746	CM	Pin, Crosshead	3
65	48458	BBNP	Rod, Plunger	3
70	76838	FPM	Seal, Oil, Crankcase	3
75	43328	S	Slinger, Barrier	3
88	45697	S	Washer, Keyhole (M18)	3
90	46841	CC	Plunger (M20 x 50)	3
98	48394	FPM	Washer, Seal – 90D	3
99	† 48201	SS	Retainer, Plunger with Stud (M6) (See Tech Bulletin 074)	3
100	76749	AL	Retainer, Seal	3
106	76149	ST4	Seal, LPS with S-Spring	3
120	49436	BB	Case, Seal	3
121	14329	FPM	O-ring, Seal Case	3
125	76395	ST4	Seal, HPS with S	3
162	43248	PTFE	Backup Ring, Seat	6
163	44383	FPM	O-ring, Seat – 70D	6
164	43722	S	Seat	6
166	43721	S	Valve	6
167	43751	S	Spring	6
168	44564	PVDF	Retainer, Spring	6
172	11691	FPM	O-ring, Valve Plug – 90D	6
174	125214	BBNP	Plug, Valve (See Tech Bulletin 074)	6
185	49761	BBCP	Manifold, Head	1
188	126513	STCP R	Screw, HSH (M8 x 70) (See Tech Bulletin 074)	8

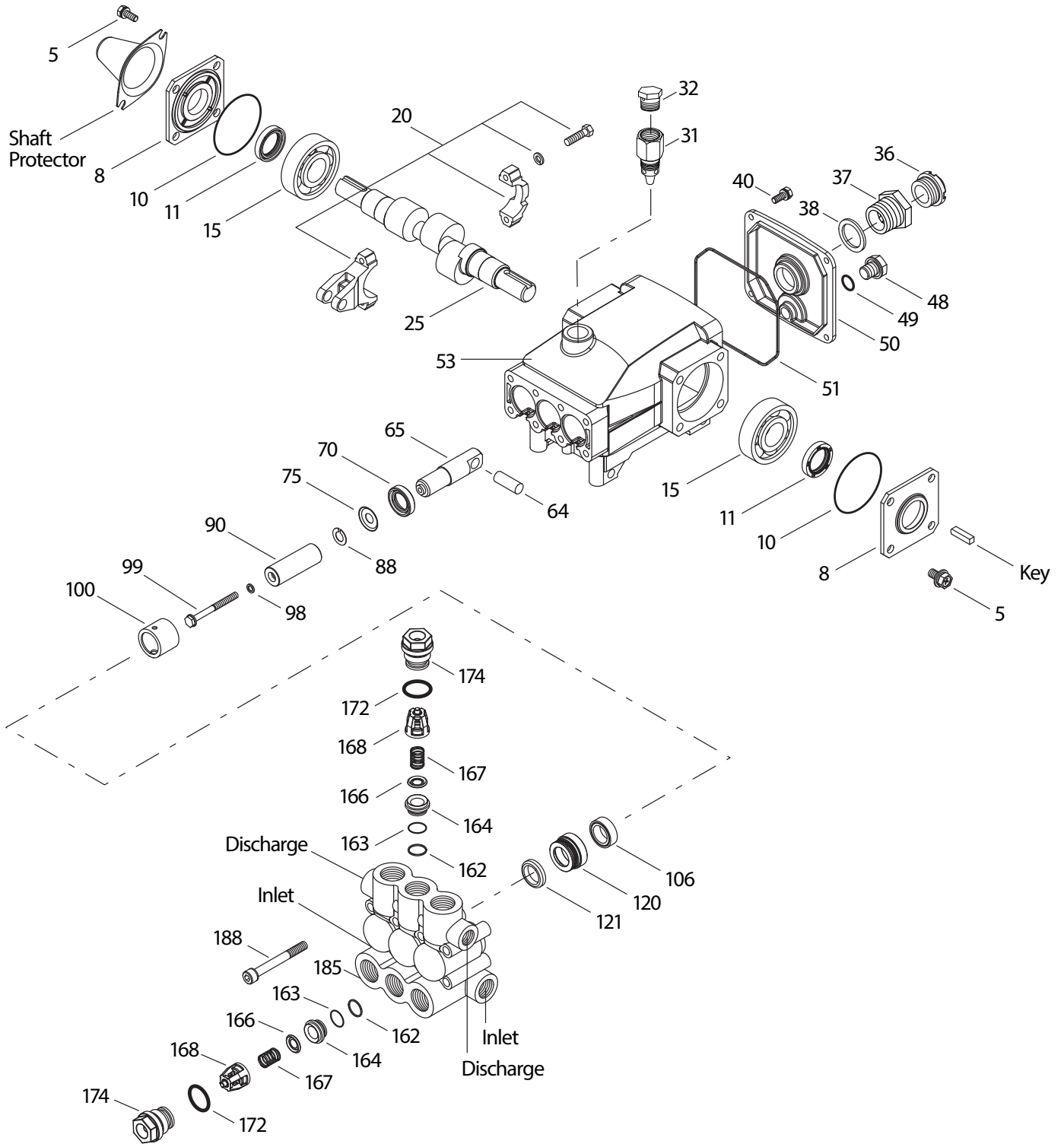
**Repair parts, optional parts and accessories on page 4.**

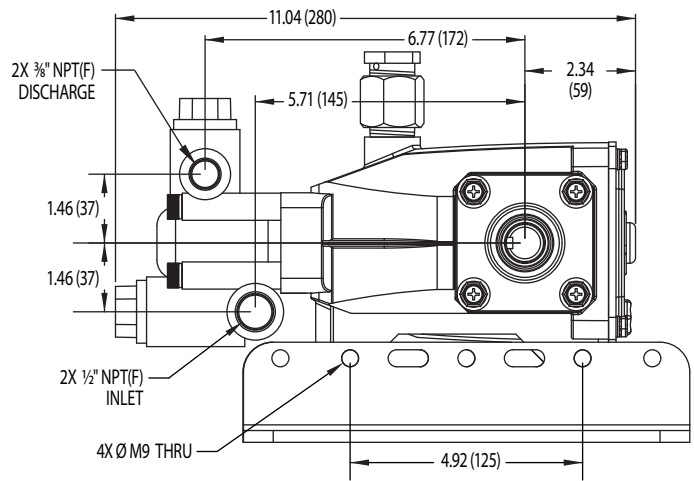
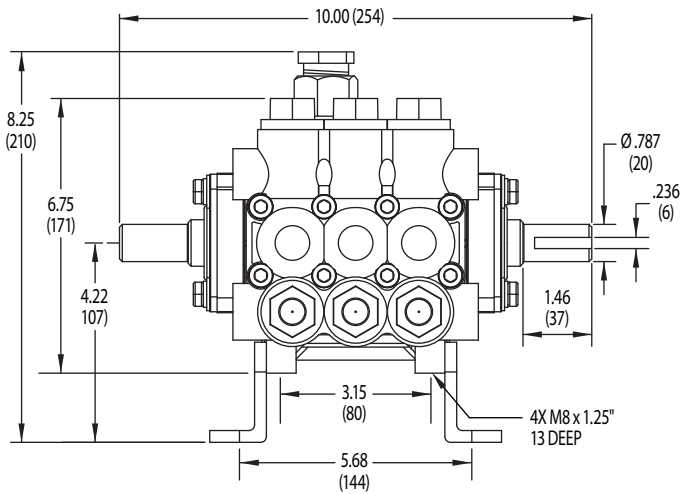
† Production parts are different than repair parts. R Components comply with RoHS Directive.

For additional technical information, see [www.catpumps.com/literature/tech-bulletins](http://www.catpumps.com/literature/tech-bulletins).

MATERIAL CODES (Not Part of Part Number): AL=Aluminum BB=Brass BBCP=Brass/Chrome Plated BBNP=Brass/Nickel Plated CC=Ceramic CM=Chrome-moly FCM=Forged Chrome-moly FPM=Fluorocarbon NBR=Medium Nitrile(Buna-N) PTFE=Pure Polytetrafluoroethylene PVDF=Polyvinylidene Fluoride S=304SS SS=316SS ST4=Special PTFE 4 STL=Steel STCP=Steel/Chrome Plated TNM=Special High Strength

# EXPLODED VIEW





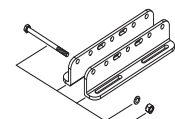
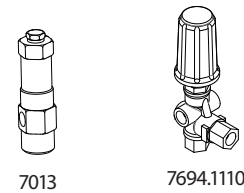
Model 5CP6120.44101

## REPAIR KITS AND PARTS

PART NUMBER	DESCRIPTION	QTY
76237	Kit, Seal (Includes Items 98, 106, 121, 125)	1
31263	Kit, Valve (Includes Items 162, 163, 164, 166, 167, 168, 172)	2
6107	Oil, Bottle (21 oz.) ISO 68 Hydraulic	1
30057	Key (M6 x 6 x 25)	1
118672	Shaft Protector	1

## OPTIONAL PARTS AND ACCESSORIES

PART NUMBER	DESCRIPTION	QTY
7013	Regulator (Primary Pressure Control)	1
7694.1110	Relief Valve (Primary or Secondary Pressure Control)	1
6073	Pressure Gauge	1
6030	Pulsation Dampener	1
30611	Rail Assembly	1
76334	Assembly, Oil Indicator (3/8" x 24") See Individual Data Sheet	1
34334	Kit, Oil Drain (3/8" x 24") See Individual Data Sheet	1
30696	Pliers (Reverse)	1
44050	Tool, Sight Gauge Removal	1



### ⚠ CAUTIONS AND WARNINGS

All high-pressure systems require a primary pressure regulating device (i.e. regulator, unloader) and a secondary pressure relief device (i.e. pop-off valve, relief valve). Failure to install such relief devices could result in personal injury or damage to pump or property. Cat Pumps does not assume any liability or responsibility for the operation of a customer's high-pressure system.

Read all CAUTIONS and WARNINGS before commencing service or operation of any high-pressure system. The CAUTIONS and WARNINGS are included in each Service Manual and with each Accessory Data sheet. CAUTIONS and WARNINGS can also be viewed online at [www.catpumps.com/dynamic-literature/cautions-and-warnings](http://www.catpumps.com/dynamic-literature/cautions-and-warnings) or can be requested directly from Cat Pumps.

### WARRANTY

View the Limited Warranty on-line at [www.catpumps.com/literature/cat-pumps-limited-warranty](http://www.catpumps.com/literature/cat-pumps-limited-warranty)