

DATA SHEET

60 FRAME PLUNGER PUMPS



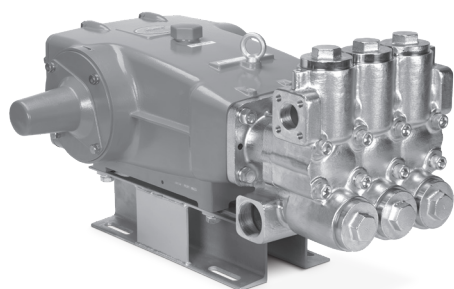
**Chrome
Plated**
6760

**Stainless
Steel**
6761

**Duplex
SS**
6762

**Nickel Aluminum
Bronze**
6767

**Nickel Aluminum
Bronze Flushed**
6767C



Model 6760 Shown
(Box rails and shaft protector included)

FEATURES

- Triplex plunger design ensures high efficiency and low pulsation.
- V-packings and low-pressure seals are completely lubricated and cooled, greatly increasing service life.
- Special high-density, polished, concentric ceramic plungers provide a true wear surface and extended seal life.
- Model 6767C provides an external flush for high-temperature or low-lubricity liquids.
- Pump comes standard with NBR seals. Alternative seal materials are available for higher temperature or chemical compatibility.

SPECIFICATIONS

	U.S.	Metric
Flow	60 gpm	227 lpm
Pressure Range	100–1200 psi	6.9–83 bar
Pump RPM*	520 rpm	520 rpm
Inlet Pressure Range	Flooded to 50 psi	Flooded to 3.5 bar
Max. Liquid Temperature	140° F	60° C
Above 130°F call Cat Pumps for inlet conditions and elastomer recommendations.		
Bore	2.165"	55 mm
Stroke	2.579"	65.5 mm
Crankcase Capacity	10 qts	9.46 l
Inlet Ports (2)	2" NPT(F)	2" NPT(F)
Flush Ports (2) (6767C)	1/4" NPT(F)	1/4" NPT(F)
Discharge Ports (2)	1 1/4" NPT(F)	1 1/4" NPT(F)
Shaft Diameter	1.772"	45 mm
Pulley Mounting	Either Side	Either Side
Weight	335 lbs	152 kg
Dimensions		
6760, 6767, 6767C	31.14 x 24.37 x 17.87"	791 x 619 x 454 mm
6761, 6762	30.71 x 24.37 x 17.44"	780 x 619 x 443 mm

* Pump minimum is 100 RPM.

ALTERNATIVE SEAL CONFIGURATION

MATERIAL	SUFFIX CODE	MAXIMUM TEMPERATURE	
NBR	—	140° F	(60° C)
FPM	.0110	180° F	(82° C)
EPDM	.0220	160° F	(71° C)

See **Tech Bulletin 002** for inlet conditions and RPM at high-temperature.

$$\frac{\text{DETERMINING THE PUMP RPM}}{\text{Rated rpm}} = \frac{\text{Desired gpm}}{\text{Desired rpm}}$$

$$\frac{\text{DETERMINING THE REQUIRED HP}}{\text{hp (Electric Brake)}} = \frac{\text{gpm x psi}}{1460}$$

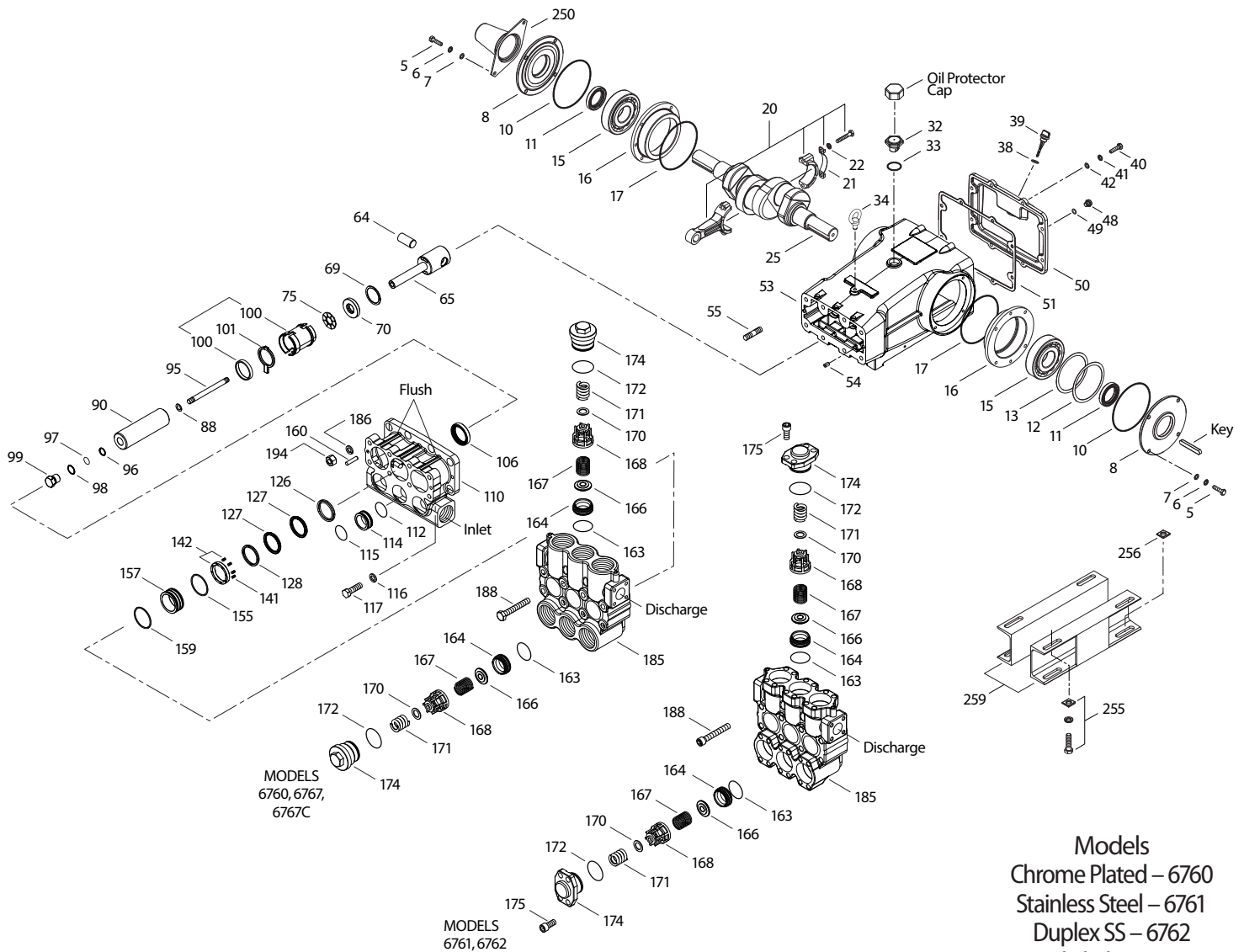
$$\frac{\text{DETERMINING MOTOR PULLEY SIZE}}{\text{Motor Pulley OD}} = \frac{\text{Pump Pulley OD}}{\text{Pump rpm}}$$

Refer to pump **Service Manual** for repair procedure and additional technical information.

PARTS LIST

ITEM	PART NUMBER								DESCRIPTION	QTY
	6760	MATL	6761	MATL	6762	MATL	6767/C	MATL		
5	126532	STCP R	89728	S	89728	S	89728	S	Screw, HH (M10 x 40) (See Tech Bulletin 074)	8
6	126231	STCP R	—	—	—	—	—	—	Lockwasher (M10)	8
7	126574	STCP R	19934	S	19934	S	19934	S	Washer, Flat (M10)	8
8	29443	ALE	29443	ALE	29443	ALE	29443	ALE	Cover, Bearing, Outer (See Tech Bulletin 118)	2
10	29444	NBR	29444	NBR	29444	NBR	29444	NBR	O-Ring, Bearing Cover-70D	2
11	11443	NBR	11443	NBR	11443	NBR	11443	NBR	Seal, Oil, Crankshaft	2
12	126594	STCP R	126594	STCP R	126594	STCP R	126594	STCP R	Washer, Shim (M120 x 0.3)	0-2
13	126595	STCP R	126595	STCP R	126595	STCP R	126595	STCP R	Washer, Shim (M120 x 0.5)	0-2
15	29441	STL	29441	STL	29441	STL	29441	STL	Bearing, Roller	2
16	29442	STL	29442	STL	29442	STL	29442	STL	Cover, Bearing, Inner	2
17	29444	NBR	29444	NBR	29444	NBR	29444	NBR	O-Ring, Bearing Cover-70D	2
20	126612	BBHS	126612	BBHS	126612	BBHS	126612	BBHS	Rod, Connecting (Includes: 21, 22) (See Tech Bulletin 074)	3
21	126560	STCP R	126560	STCP R	126560	STCP R	126560	STCP R	Washer, Locking	3
22	126593	STCP R	126593	STCP R	126593	STCP R	126593	STCP R	Washer, Shim (M10.5 x 1.5)	6
25	29440	FCM	29440	FCM	29440	FCM	29440	FCM	Crankshaft, Dual End (M65.5)	1
32	43211	ABS	43211	ABS	43211	ABS	43211	ABS	Cap, Oil Filler	1
33	14177	NBR	14177	NBR	14177	NBR	14177	NBR	O-Ring, Oil Filler Cap-70D	1
34	126743	STCP R	126743	STCP R	126743	STCP R	126743	STCP R	Bolt, Eye (M12) (For Lifting Pump Only)	1
38	129343	RBR	129343	RBR	129343	RBR	129343	RBR	Gasket, Flat Flex	1
39	27769	ABS	27769	ABS	27769	ABS	27769	ABS	Stick, Dip	1
40	126531	STCP R	89627	S	89627	S	89627	S	Screw, HH (M10 x 30) (See Tech Bulletin 074)	8
41	126231	STCP R	15847	S	15847	S	15847	S	Lockwasher (M10)	8
42	126574	STZP R	19934	S	19934	S	19934	S	Washer, Flat (M10)	8
48	25625	STCP	25625	STCP	25625	STCP	25625	STCP	Plug, Drain (1/4" x 19 BSP)	1
49	23170	NBR	23170	NBR	23170	NBR	23170	NBR	O-Ring, Drain Plug-70D	1
50	29438	ALE	29438	ALE	29438	ALE	29438	ALE	Cover, Rear (See Tech Bulletin 118)	1
51	129386	NBR	129386	NBR	129386	NBR	129386	NBR	Gasket, Rear Cover	1
53	133667	ALE	133667	ALE	133667	ALE	133667	ALE	Crankcase with Guide Pins (Includes: 34, 54) (See Tech Bulletin 118)	1
54	43282	S	43282	S	43282	S	43282	S	Pin, Guide	2
55	126553	STCP R	89615	S	89615	S	89615	S	Stud (M16 x 70)	2
64	29481	CM	29481	CM	29481	CM	29481	CM	Pin, Crosshead	3
65	† 45384	SSZZ	45384	SSZZ	45384	SSZZ	45384	SSZZ	Rod, Plunger	3
69	126588	STCP R	126588	STCP R	126588	STCP R	126588	STCP R	Washer, Oil Seal	3
70	29454	NBR	29454	NBR	29454	NBR	29454	NBR	Seal, Oil	3
75	44752	NBR	44752	NBR	44752	NBR	44752	NBR	Slinger, Barrier-85D	3
88	45677	SS	45677	SS	45677	SS	45677	SS	Washers, Keyhole (M14)	3
90	44749	CC	44749	CC	44749	CC	44749	CC	Plunger (M55 x 185)	3
95	89783	S	44748	SS	44748	SS	44748	SS	Stud, Plunger Retainer (M14 x 147)	3
96	20214	PTFE	20214	PTFE	20214	PTFE	20214	PTFE	Backup Ring, Plunger Retainer	3
97	17616	NBR	17616	NBR	17616	NBR	17616	NBR	O-Ring, Plunger Retainer-80D	3
98	44751	SS	44751	SS	44751	SS	44751	SS	Gasket, Plunger Retainer	3
99	45276	S	44750	SS	48959	SSD	44750	SS	Retainer, Plunger (M14) (See Tech Bulletin 074)	3
100	855000	PVDF	855000	PVDF	855000	PVDF	855000	PVDF	Retainer, Seal, 2-Piece	3
101	44762	—	44762	—	44762	—	44762	—	Wick, Long Tab (M55 x 185)	3
106	44757	NBR	44757	NBR	44757	NBR	44757	NBR	Seal, Low-Pressure with SS-Spring	3
110	49457	NABC	45769	SS	48980	SSD	44754	NAB	Manifold, Inlet	1
	—	—	—	—	—	—	49305	NAB	Manifold, Inlet, Flushed (Model 6767C)	1
112	18175	NBR	18175	NBR	18175	NBR	18175	NBR	O-Ring, Spacer, Inner-80D	3
114	† 44767	SS	44767	SS	48957	SSD	44767	SS	Spacer, Inlet Manifold	3
115	18175	NBR	18175	NBR	18175	NBR	18175	NBR	O-Ring, Spacer, Outer-80D	3
116	126569	STCP R	19086	S	19086	S	19086	S	Lockwasher (M16)	4
117	126537	STCP R	89729	S	89729	S	89729	S	Screw, HH (M16 x 55) (See Tech Bulletin 074)	4
126	48392	D	48392	D	48392	D	48392	D	Adapter, Female (See Tech Bulletin 087)	3
127	44764	STG*	44764	STG*	44764	STG*	44764	STG*	V-Packing	6
128	† 45772	SS	45772	SS	48962	SSD	45772	SS	Adapter, Male	3
141	44943	SS	44943	SS	44943	SS	44943	SS	Coil Spring, Spacer	24
142	48501	BB	45383	SS	48982	SSD	45383	SS	Spacer with Coil Springs	3
155	18178	NBR	18178	NBR	18178	NBR	18178	NBR	O-Ring, Spacer-80D	3
157	† 45321	SS	45321	SS	48961	SSD	45321	SS	Spacer, V-Packing	3
159	18178	NBR	18178	NBR	18178	NBR	18178	NBR	O-Ring, Spacer-80D	3
160	44756	S	44756	S	44756	S	44756	S	Pin, Guide	2
163	18176	NBR	18176	NBR	18176	NBR	18176	NBR	O-Ring, Seat-80D	6
164	† 44772	SS	44772	SS	48964	SSD	44772	SS	Seat	6
166	† 44774	SS	44774	SS	48958	SSD	44774	SS	Valve	6
167	44773	SS	44773	SS	44773	SS	44773	SS	Spring	6
168	44775	PVDF	44775	PVDF	44775	PVDF	44775	PVDF	Retainer, Spring	6
170	† 44776	SS	44776	SS	48956	SSD	44776	SS	Washer, Retainer	6
171	44780	SS	44780	SS	44780	SS	44780	SS	Spring, Coil, Valve Plug	6
172	18177	NBR	18177	NBR	18177	NBR	18177	NBR	O-Ring, Valve Plug-80D	6
174	49461	NABC	48572	SSD	48572	SSD	44778	NAB	Plug, Valve	6
175	—	—	48573	S	48573	S	—	—	Screw, HSH (M16 x 35) (See Tech Bulletin 074)	24
185	49459	NABC	48489	SS	48984	SSD	44769	NAB	Manifold, Discharge	1
186	126569	STCRR	19086	S	19086	S	19086	S	Lockwasher (M16)	2
188	126744	STCP R	89694	S	89694	S	89694	S	Screw, HSH (M16 x 110) (See Tech Bulletin 074)	8
194	126525	STCPR	81291	S	81291	S	81291	S	Nut, Hex (M16)	2
250	29445	ALE	29445	ALE	29445	ALE	29445	ALE	Protector, Shaft (See Tech Bulletin 118)	1
255	33243	—	33243	—	33243	—	33243	—	Mount, Direct	1
256	29649	STCP	29649	STCP	29649	STCP	29649	STCP	Washer, Slant (M16) (To Shim and Align Mounting Bolts [Not Included] Through the Box Rail and Mounting Base)	4
259	126604	STCPR	126604	STCPR	126604	STCPR	126604	STCPR	Rail, Box	2

EXPLODED VIEW



Models
 Chrome Plated – 6760
 Stainless Steel – 6761
 Duplex SS – 6762
 Nickel Aluminum
 Bronze – 6767, 6767C
 May 2022

OPTIONAL PARTS AND ACCESSORIES

PART	DESCRIPTION	QTY
43048	Key (M14 x 9 x 90)	1
828710	Protector, Oil Cap with Foam Gasket	1
990014	Hub, "B", M45 with Keyway (Not Shown)	1
30429	Oiler (10 oz) (Not Shown)	3
34314	Kit, Oil Drain (3/8" x 48") (Not Shown)	1
88902	Stud, (M16 x 277) (For Removal of DM and IM) (Not Shown)	1
819010	Assembly, Crankcase, Cast Iron Conversion (Not Shown)	1

SERVICE PARTS

PART	DESCRIPTION	QTY
34091	Kit, Seal – Standard NBR	1
34092	Kit, Valve – Standard NBR	2
39400	Kit, Valve – Standard NBR (Model 6762)	2
6102	Oil, Jug (2.5 gal) ISO-68 Hydraulic (Fill to Specified Crankcase Capacity Prior to Start-up)	1
6124	Gasket, Liquid (3 oz)	1
6139	Lubricant, Anti-seize (8 oz) (See Tech Bulletin 095)	1
816760	Head, Complete with NBR Seals and O-Rings (Model 6760)	1
816667	Head, Complete with NBR Seals and O-Rings (Model 6761)	1
816865	Head, Complete with NBR Seals and O-Rings (Model 6762)	1
814820	Head, Complete with NBR Seals and O-Rings (Model 6767)	1

Bold print part numbers are unique to a particular pump model. Italics are optional items. [] Date of latest production change.

† Production parts 304SS, replacement parts are 316SS. R Components comply with RoHS Directive. For additional technical information see www.catpumps.com/literature/tech-bulletins.

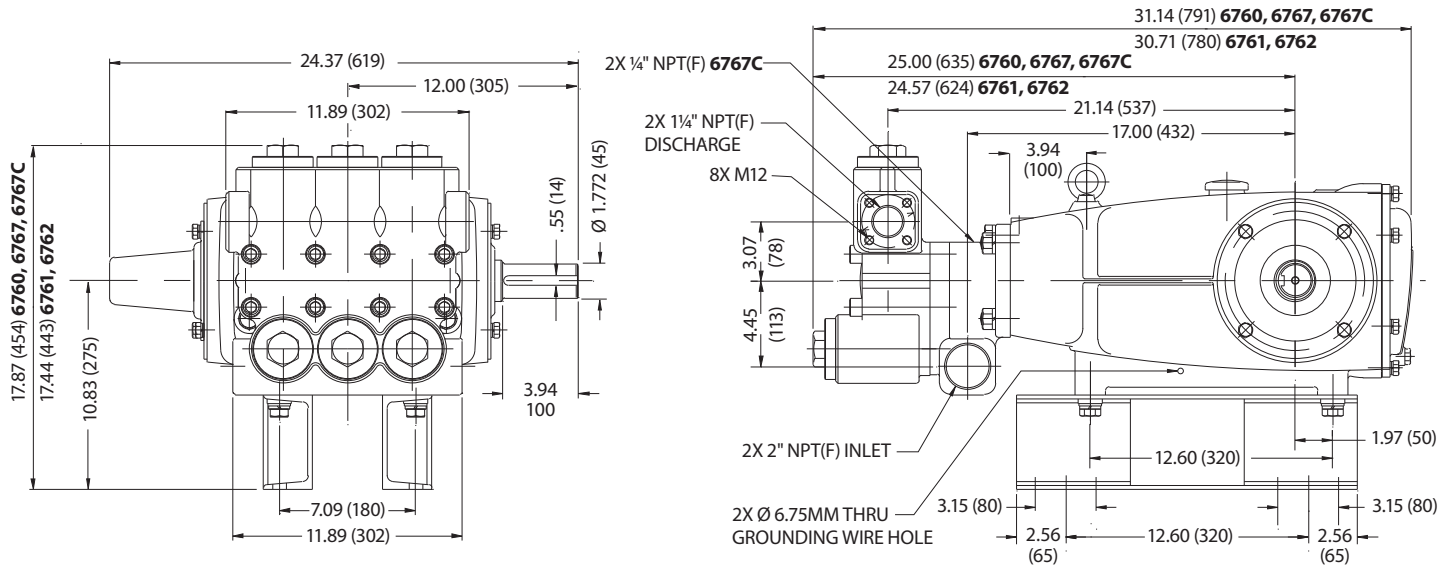
MATERIAL CODES (Not Part of Part Number): ABS=ABS Plastic ALE=Aluminum Epoxy BB=Brass BBHS=Brass/High Strength CC=Ceramic CM=Chrome-Moly D=Acetal

F=Cast Iron FCM=Forged Chrome-moly FPM=Fluorocarbon NAB=Nickel Aluminum Bronze NABC=Nickel Aluminum Bronze Chrome Plated NBR=Medium Nitrile (Buna-N)

PE=Polyethylene PTFE=Pure Tetrafluoroethylene PVDF=Polyvinylidene Fluoride RBR=Rubber S=304SS SS=316SS SSD=Duplex SS SSZZ=316SS/Zamak

STCP=Steel/Chrome Plated STG=Special Blend PTFE White STL=Steel STZP=Steel/Zinc Plated

Kits – NBR, FPM (.0110), EPDM (.0220) listed on Page 4.



SEAL KITS

One (1) seal kit required per pump

PUMP MODEL	NBR (STD)	FPM (.0110)	EPDM (.0220) ◆
6760, 6761, 6762, 6767, 6767C	34091*	34093*	76091*

ITEM (Included in Seal Kits)				DESCRIPTION	
97	17616	11686	703369	O-Ring, Plunger Retainer	3
106	44757	45882	702228	Seal, Low-Pressure with SS-Spring	3
112	18175	13266	702442	O-Ring, Inner Spacer	3
115	18175	13266	702442	O-Ring, Outer Spacer	3
127	44764	44764	44764	V-Packing	6
155	18178	13338	701657	O-Ring, Spacer	3
159	18178	13338	701657	O-Ring, Spacer	3

* Review material codes for individual items (STG generally may be used as alternative)

◆ Silicone Oil/Grease required

VALVE KITS

Two (2) valve kits required per pump

PUMP MODEL	NBR (STD)	FPM (.0110)	EPDM (.0220) ◆
6760, 6761, 6767, 6767C	34092	31273	76092
6762	39400	—	—

ITEM (Included in Valve Kits)				DESCRIPTION	
163	18176	13278	702445	O-Ring, Seat	3
164	44772	44772	44772	Seat	3
164	48964	—	—	Seat (Model 6762)	3
166	44774	44774	44774	Valve	3
166	48958	—	—	Valve (Model 6762)	3
167	44773	44773	44773	Spring	3
168	44775	44775	44775	Retainer, Spring	3
170	44776	44776	44776	Washer, Retainer	3
170	48956	—	—	Washer, Retainer (Model 6762)	3
172	18177	13279	701988	O-Ring, Valve Plug	3

◆ Silicone Oil/Grease required

⚠ CAUTIONS AND WARNINGS

All high-pressure systems require a primary pressure regulating device (i.e. regulator, unloader) and a secondary pressure relief device (i.e. pop-off valve, relief valve). Failure to install such relief devices could result in personal injury or damage to pump or property. Cat Pumps does not assume any liability or responsibility for the operation of a customer's high-pressure system.

Read all CAUTIONS and WARNINGS before commencing service or operation of any high-pressure system. The CAUTIONS and WARNINGS are included in each Service Manual and with each Accessory Data sheet. CAUTIONS and WARNINGS can also be viewed online at www.catpumps.com/dynamic-literature/cautions-and-warnings or can be requested directly from Cat Pumps.

WARRANTY

View the Limited Warranty online at www.catpumps.com/literature/cat-pumps-limited-warranty