

DATA SHEET

HIGH-PRESSURE SHUT-OFF GUNS



Brass Shut-Off Model: 76165

Brass Weep Model: 76168



Model 76165
(Standard)

Model 76168
(Weep)

FEATURES

- Durable nylon blended body and trigger provide longer life and superior strength.
- Ergonomic construction with smooth trigger action reduces operator fatigue.
- Quality-construction with stainless steel valve and seat withstand thousands of continuous cycles.
- Available as a Shut-Off or Weep gun.
- Special safety latch prevents unintentional operation.

COMMON SPECIFICATIONS

	U.S.	Metric
Maximum Flow	8.0 gpm	30 lpm
Maximum Pressure	3650 psi	250 bar
Maximum Temperature	195° F	90° C
Inlet Port	3/8" NPT(F)	3/8" NPT(F)
Discharge Port	1/4" NPT(F)	1/4" NPT(F)
Weight	14.4 oz	0.41 kg
Dimensions	7.62 x 6.96 x 1.26"	193 x 177 x 32 mm

Use only at above specifications to ensure proper gun life and performance.

SELECTION

Select a gun to match your system flow and pressure requirements, temperature and function being performed. When operating in freezing conditions the weep model is recommended.

INSTALLATION

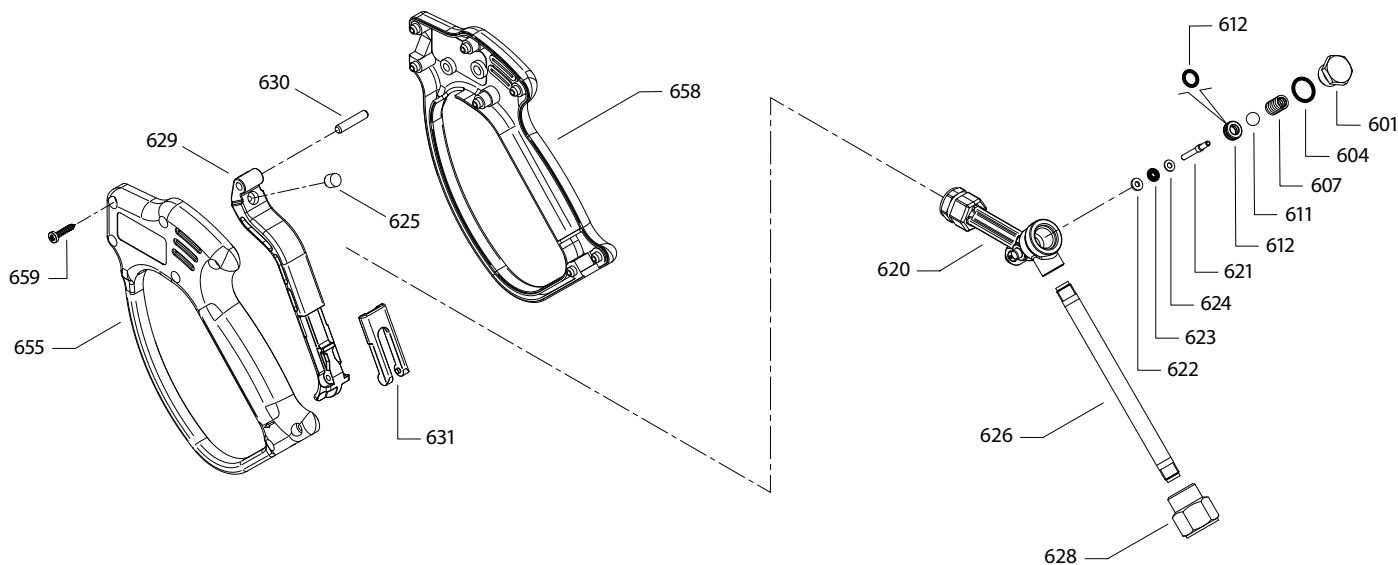
Install the appropriate regulator or unloader while using a shut-off gun to avoid pressure spikes when the gun is shut off. Severe damage can occur to your high-pressure system without this safety device.

OPERATION

Flow through the gun occurs by squeezing the trigger on the gun. This activates the actuator rod, lifting the ball off the seat, allowing the pumped liquid to flow through the valve body chamber in the gun. Releasing the trigger shuts off the flow.

A special safety latch locks the gun closed to prevent unintentional operation when left unattended. This latch is red on the Shut-Off model and blue on the Weep model.

EXPLODED VIEW



PARTS LIST

ITEM	PART NUMBER		DESCRIPTION		QTY	
	76165	MATL	76168	MATL		
601	—	BB	—	BB	Nut, Spring Retaining	1
604	33564	NBR	33564	NBR	O-Ring, Nut	1
607	—	S	—	S	Spring	1
611	36099	SSSS	36099	SSSS	Ball, 5/16"	1
612	39051	NBR	31636	NBR	Seat, with O-Ring	1
620	—	BB	—	BB	Body with Discharge Fitting (1/4" NPT[F])	1
621	31819	S	31819	S	Rod, Actuator	1
622	35074	PTFE	35074	PTFE	Backup Ring, Actuator Rod	1
623	35020	FPM	35020	FPM	O-Ring, Actuator Rod	1
624	39004	S	39004	S	Washer, Actuator Rod	1

ITEM	PART NUMBER		DESCRIPTION		QTY	
	76165	MATL	76168	MATL		
625	—	NY	—	NY	Striker	1
626	—	S	—	S	Pipe, Inlet	1
628	—	BB	—	BB	Fitting, Inlet (3/8" NPT[F])	1
629	—	NY	—	NY	Trigger, Black	1
630	39291	BB	39291	BB	Pin, Trigger	1
631	—	NY	—	—	Latch, Safety, Red (Model 76165)	1
	—	—	—	NY	Latch, Safety, Blue (Model 76168)	1
655	—	NY	—	NY	Handle, Gun, Left	1
658	—	NY	—	NY	Handle, Gun, Right	1
659	32877	STZP	30409	S	Screw, Self Threading (M3.5 x 18)	7
668	39444	—	39035	—	Kit, Repair (Includes: 604, 611, 612, 621–624)	1

TROUBLESHOOTING

Water leaking out the discharge of the gun

- Object lodged between the seat and ball
- Worn seat
- Worn O-ring under seat

Water leaking out the lever area

- Worn O-ring around actuator rod

⚠ WARNING

SKIN PUNCTURE HAZARD

Do not allow spray to contact any part of the body or animals. Pumped liquids under high pressure can pierce skin and underlying tissue or can deflect debris leading to serious personal injury or death.

1. Relieve all line pressure in the inlet line to the pump and discharge line from the pump before performing any maintenance on the gun.
2. When high-pressure gun is not in use, set safety trigger lock (safety latch) to avoid accidental high-pressure operation and personal injury or property damage.
3. Do not check for leaks with hand. Use a piece of cardboard to check for leaks.
4. Review cleaning procedures to minimize heavy back blasting.
5. Wear adequate safety equipment and clothing when operating a high-pressure sprayer. Never use high-pressure spray with bare feet or exposed skin, and always wear safety glasses.

⚠ CAUTIONS AND WARNINGS

All high-pressure systems require a primary pressure regulating device (e.g. regulator, unloader) and a secondary pressure relief device (e.g. pop-off valve, relief valve). Failure to install such relief devices could result in personal injury or damage to pump or property. Cat Pumps does not assume any liability or responsibility for the operation of a customer's high-pressure system.

Read all CAUTIONS and WARNINGS before commencing service or operation of any high-pressure system. The CAUTIONS and WARNINGS are included in each Service Manual and with each Accessory Data sheet. CAUTIONS and WARNINGS can also be viewed online at www.catpumps.com/dynamic-literature/cautions-and-warnings or can be requested directly from Cat Pumps.

WARRANTY

View the Limited Warranty online at www.catpumps.com/literature/cat-pumps-limited-warranty

Bold print part numbers are unique to a particular gun model.

Italics are optional items.

MATERIAL CODES (Not Part of Part Number): BB=Brass FPM=Fluorocarbon
NBR=Medium Nitrile (Buna-N) NY=Nylon PTFE=Pure Polytetrafluoroethylene
S=304SS SSSS=440SS STZP=Steel/Zinc Plated