

DATA SHEET

HIGH-PRESSURE SHUT-OFF GUNS



Brass Shut-Off Model: 36140

Brass Weep Model: 36141



36141 Weep Model

FEATURES

- Durable nylon blended body and trigger provide long life and superior strength.
- Contour design and smooth trigger action reduces operator fatigue.
- Quality construction with stainless steel valve and seat withstand thousands of continuous cycles.
- Available as a shut-off or weep gun.
- Special safety latch prevents unintentional operation.

COMMON SPECIFICATIONS

	U.S.	Metric
Maximum Flow	10.5 gpm	40 lpm
Maximum Pressure	5000 psi	345 bar
Maximum Temperature	300° F	149° C
Inlet Port	3/8" NPT(F)	3/8" NPT(F)
Discharge Port	1/4" NPT(F)	1/4" NPT(F)
Weight	36.8 oz	1.03 kg
Dimensions	8.49 x 5.23 x 1.23"	216 x 133 x 31 mm

Use only at above specifications to ensure proper gun life and performance.

SELECTION

Select a gun to match your system flow and pressure requirements, temperature and function being performed. When operating in freezing conditions the weep model is recommended.

INSTALLATION

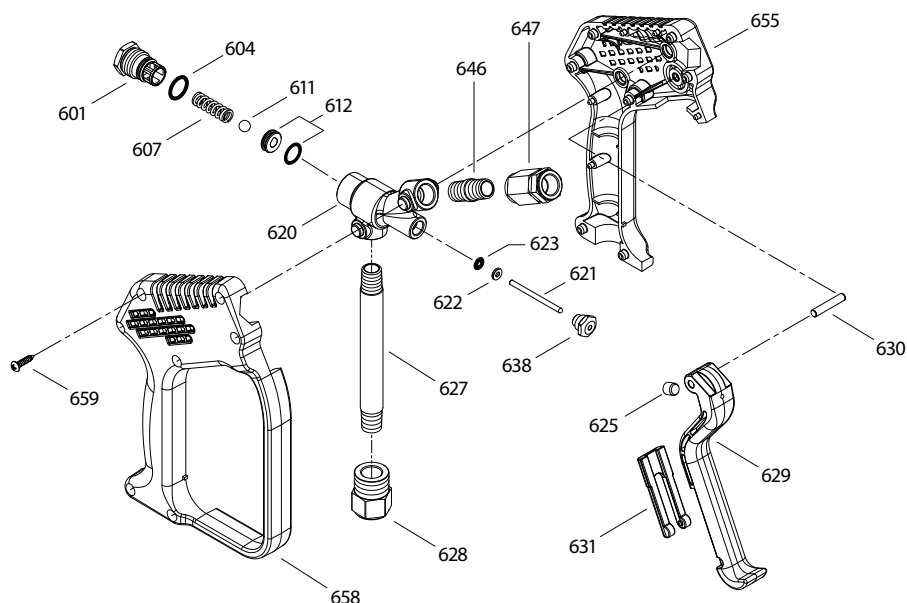
Install the appropriate regulator or unloader when using a shut-off gun to avoid pressure spikes when the gun is shut off. Severe damage can occur to your system without this safety device. For field conversion, a shut-off gun may be modified to a weep gun by changing the seat (item 612) to a notched seat. It is recommended that the color coded safety latch also be used when converting to a weep gun.

OPERATION

Squeezing the trigger on the gun activates the actuator rod, lifting the ball off the seat, allowing the pumped liquid to flow through the valve body chamber. Releasing the trigger shuts off the flow.

A special safety latch locks the gun closed to prevent unintentional operation when left unattended. This latch is black on the shut-off model and blue on the weep model.

EXPLODED VIEW



PARTS LIST

ITEM	P/N	MATL	DESCRIPTION	QTY
601	—	BB	Plug, Spring Retaining	1
604	31474	FPM	O-Ring, Plug-90D	1
607	—	SS	Spring, Valve	1
611	—	SSSS	Ball, Valve	1
612	32351	FPM	Seat, with FPM O-Ring (Model 36140)	1
	31632	FPM	Seat, with FPM O-Ring (Model 36141)	1
620	—	BB	Body, Valve	1
621	33787	S	Rod, Actuator	1
622	35074	PTFE	Backup Ring, Actuator Rod	1
623	77007	FPM	O-Ring, Actuator Rod	1
625	—	S	Plug, Striker	1
627	—	S	Nipple, Inlet (1/4" NPT[F])	1
628	77012	BB	Fitting, Inlet (3/8" NPT[F])	1

ITEM	P/N	MATL	DESCRIPTION	QTY
629	—	Z	Trigger	1
630	—	BB	Pin, Trigger	1
631	77018	Z	Latch, Safety (Black)	1
	77019	Z	Latch, Safety (Blue)	1
638	77005	BB	Plug, Pin Guide	1
646	—	S	Nipple, Discharge (1/4" NPT[M])	1
647	77039	BB	Fitting, Discharge (1/4" NPT[M])	1
655	—	Z	Handle, Left	1
658	—	Z	Handle, Right	1
659	—	S	Screw, Pan Head (M3.5 x 16)	7
668	32349	FPM	Kit, Repair (Includes: 604, 611, 612, 621-623) (Model 36140)	1
	32350	FPM	Kit, Repair (Includes: 604, 611, 612, 621-623) (Model 36141)	1

Italics are optional items.

Bold part numbers are unique to a particular model.

MATERIAL CODES (Not Part of Part Number):

BB=Brass FPM=Fluorocarbon PTFE=Pure Polytetrafluoroethylene
S=304SS SS=316SS SSSS=440SS Z=Z-Nylon

TROUBLESHOOTING

Water leaking out the discharge of the gun

- Object lodged between the seat and ball
- Worn seat
- Worn O-ring under seat

Water leaking out the lever area

- Worn O-ring around actuator rod

⚠ WARNING

SKIN PUNCTURE HAZARD

Do not allow spray to contact any part of the body or animals. Pumped liquids under high pressure can pierce skin and underlying tissue or can deflect debris leading to serious personal injury or death.

1. Relieve all line pressure in the inlet line to the pump and discharge line from the pump before performing any maintenance on the gun.
2. When high-pressure gun is not in use, set safety trigger lock (safety latch) to avoid accidental high-pressure operation and personal injury or property damage.
3. Do not check for leaks with hand. Use a piece of cardboard to check for leaks.
4. Review cleaning procedures to minimize heavy back blasting.
5. Wear adequate safety equipment and clothing when operating a high-pressure sprayer. Never use high-pressure spray with bare feet or exposed skin, and always wear safety glasses.

⚠ CAUTIONS AND WARNINGS

All high-pressure systems require a primary pressure regulating device (e.g. regulator, unloader) and a secondary pressure relief device (e.g. pop-off valve, relief valve). Failure to install such relief devices could result in personal injury or damage to pump or property. Cat Pumps does not assume any liability or responsibility for the operation of a customer's high-pressure system.

Read all CAUTIONS and WARNINGS before commencing service or operation of any high-pressure system. The CAUTIONS and WARNINGS are included in each Service Manual and with each Accessory Data sheet. CAUTIONS and WARNINGS can also be viewed online at www.catpumps.com/dynamic-literature/cautions-and-warnings or can be requested directly from Cat Pumps.

WARRANTY

View the Limited Warranty online at www.catpumps.com/literature/cat-pumps-limited-warranty