

DATA SHEET

ROTATING NOZZLES



BRASS MODELS **7625.30, 7625.35, 7625.40, 7625.45, 7625.50, 7625.55, 7625.60, 7625.65, 7625.70, 7625.80**



FEATURES

- High impact, rotating straight stream with a 20° angle creates intense cleaning action.
- Heavy duty, long-wearing ceramic nozzle and seat provide an exceptional life.
- Rotating nozzle can be started and used in any position.
- A non-marring black cover protects the corrosion-resistant brass body.

SPECIFICATIONS

	U.S.	Metric
Flow Range	1.6–7.7 gpm	6–29 lpm
Pressure Range	1200–3650 psi	83–252 bar
Maximum Temperature	212° F	100° C
Inlet Fitting	¼" BSP(F)	¼" BSP(F)
Weight	14.46 oz	0.41 kg
Dimensions	1.61 x 3.82"	41 x 97 mm

SELECTION

The design of this 0-degree stream rotating nozzle provides more efficient cleaning with less water. The 7625 rotating nozzle is available in a wide range of standard nozzle sizes to meet your system pressure and flow requirements. A nozzle selection chart on page two can help select the correct size. The nozzle size is etched on the outside diameter of the inlet fitting.

Note: Older models used a colored plug to identify nozzle size.

Note: The minimum pressure to ensure smooth rotation is 1200 psi. The maximum pressure for the 7625 series is 3650 psi.

INSTALLATION

The 7625 rotating nozzle is designed to mount on a lance and can be used in any position. Install the rotating nozzle using the ¼" BSP(F) fitting. Use tape or pipe sealant on the adjoining threaded BSP(M) fitting and tighten the nozzle onto the fitting. Position the nozzle for desired impact and coverage from the target.

OPERATION

The 7625 rotating nozzle is a specially designed 0-degree straight stream nozzle that rotates at a 20° angle for high-impact cleaning using less water. Its efficient high-speed rotating water jet offers better cleaning intensity than traditional flat fan nozzles. The nozzle uses an internal balanced and guided turbine to positively rotate the ceramic nozzle at high speed for complete cleaning coverage. The ceramic nozzle provides excellent wear resistance and long service life.

Note: Test a small area to determine the best cleaning technique for the selected surface and to avoid damage.

MAINTENANCE

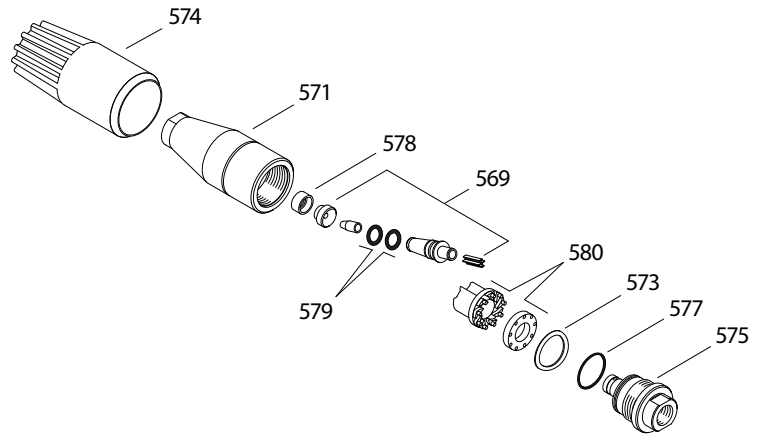
Replacement nozzle assemblies are available for each size nozzle for periodic maintenance. If the nozzle stops rotating, remove the nozzle and disassemble. Clean the internal passages of foreign material. If the nozzle loses pressure, remove the nozzle and disassemble. Replace the worn internal ceramic assembly. Do not adjust the unloader valve to compensate for the loss of pressure.

PARTS LIST

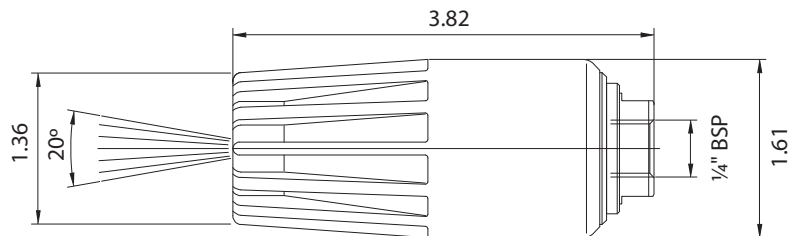
ITEM	P/N	MATL	DESCRIPTION	QTY
569	76401	BBCC	Nozzle Assembly (3.0)	1
	76402	BBCC	Nozzle Assembly (3.5)	1
	76403	BBCC	Nozzle Assembly (4.0)	1
	76404	BBCC	Nozzle Assembly (4.5)	1
	76406	BBCC	Nozzle Assembly (5.0)	1
	76407	BBCC	Nozzle Assembly (5.5)	1
	76408	BBCC	Nozzle Assembly (6.0)	1
	76409	BBCC	Nozzle Assembly (6.5)	1
	76412	BBCC	Nozzle Assembly (7.0)	1
	76413	BBCC	Nozzle Assembly (8.0)	1
571	—	BB	Body	1
573	31829	S	Washer	1
574	31436	—	Protector, Nozzle, Black	1
575	—	BB	Fitting, Inlet (1/4" BSP[F])	1
577	32926	NBR	O-Ring, Fitting, Inlet-90D	1
578	—	CC	Insert	1
579	31601	NBR	O-Ring, Nozzle (After 6/07)	2
580	31832	—	Turbine, Nozzle	1

MATERIAL CODES (Not Part of Part Number):
 BB=Brass BBCC=Brass/Ceramic CC=Ceramic
 NBR=Medium Nitrile (Buna-N) NY=Nylon S=304SS

EXPLODED VIEW



DIMENSIONAL



7625 NOZZLE SELECTION CHART

Nozzle Flow (GPM) at Various Pressures

Model	Nozzle Size	1200 psi 83 bar	1500 psi 103 bar	2000 psi 138 bar	2500 psi 172 bar	3000 psi 207 bar	3650 psi 252 bar
7625.30	3.0	1.6	1.9	2.1	2.4	2.6	2.9
7625.35	3.5	1.9	2.1	2.5	2.8	3.0	3.3
7625.40	4.0	2.2	2.5	2.8	3.2	3.5	3.8
7625.45	4.5	2.4	2.7	3.2	3.5	3.9	4.3
7625.50	5.0	2.8	3.1	3.5	4.0	4.3	4.8
7625.55	5.5	3.0	3.3	3.9	4.3	4.8	5.2
7625.60	6.0	3.2	3.7	4.2	4.8	5.2	5.7
7625.65	6.5	3.6	4.0	4.6	5.2	5.6	6.2
7625.70	7.0	3.8	4.3	5.0	5.5	6.0	6.7
7625.80	8.0	4.4	4.9	5.6	6.4	7.0	7.7

⚠ WARNING

SKIN PUNCTURE HAZARD

Do not allow spray to contact any part of the body or animals. Pumped liquids under high pressure can pierce skin and underlying tissue or can deflect debris leading to serious personal injury or death.

1. Relieve all line pressure in the inlet line to the pump and discharge line from the pump before performing any maintenance on the gun.
2. When high-pressure gun is not in use, set safety trigger lock (safety latch) to avoid accidental high-pressure operation and personal injury or property damage.
3. Do not check for leaks with hand. Use a piece of cardboard to check for leaks.
4. Review cleaning procedures to minimize heavy back blasting.
5. Wear adequate safety equipment and clothing when operating a high-pressure sprayer. Never use high-pressure spray with bare feet or exposed skin, and always wear safety glasses.

⚠ CAUTIONS AND WARNINGS

All high-pressure systems require a primary pressure regulating device (e.g. regulator, unloader) and a secondary pressure relief device (e.g. pop-off valve, relief valve). Failure to install such relief devices could result in personal injury or damage to pump or property. Cat Pumps does not assume any liability or responsibility for the operation of a customer's high-pressure system.

Read all CAUTIONS and WARNINGS before commencing service or operation of any high-pressure system. The CAUTIONS and WARNINGS are included in each Service Manual and with each Accessory Data sheet. CAUTIONS and WARNINGS can also be viewed online at www.catpumps.com/dynamic-literature/cautions-and-warnings or can be requested directly from Cat Pumps.

WARRANTY

View the Limited Warranty online at www.catpumps.com/literature/cat-pumps-limited-warranty

TROUBLE SHOOTING

Problem	Probable Cause
Will not rotate	<ul style="list-style-type: none"> • Ceramic seat or nozzle chipped or broken • Replace as needed
No flow from nozzle	<ul style="list-style-type: none"> • Nozzle plugged • Low flow to pump • Filter to pump clogged