



Rotating Brush Models

| | |
|--------------------|--------------|
| White Nylon | 32155 |
| Black Nylon | 32156 |
| Black Nylon | 34456 |

FEATURES

- Requires only minimal flow to activate.
- Gentle low pressure scrubbing action.
- Smooth gear operation.
- Durable stainless steel cam and gear shifts.

SELECTION: The Rotating Brush is designed to provide a low pressure agitation for hard to remove dirt on more sensitive surfaces such as glass, tile and plastic. [Test a small area for sensitivity to scratches.]

INSTALLATION: The Rotating Brush threads into any 1/4" lance or may be purchased with the moulded extension which threads directly into the gun and lance.

OPERATION: Special zero degree nozzles activate the brush rotation.

SPECIFICATIONS

| | U.S. Measure | Metric Measure |
|---------------------------|----------------|------------------|
| MODEL 32155, 32156 | | |
| Flow Range | 3.0 to 5.5 GPM | (11.4 to 21 L/M) |

| | | |
|--------------------|----------------|-------------------|
| MODEL 34456 | | |
| Flow Range | 1.5 to 3.0 GPM | (5.7 to 11.4 L/M) |

COMMON SPECIFICATIONS

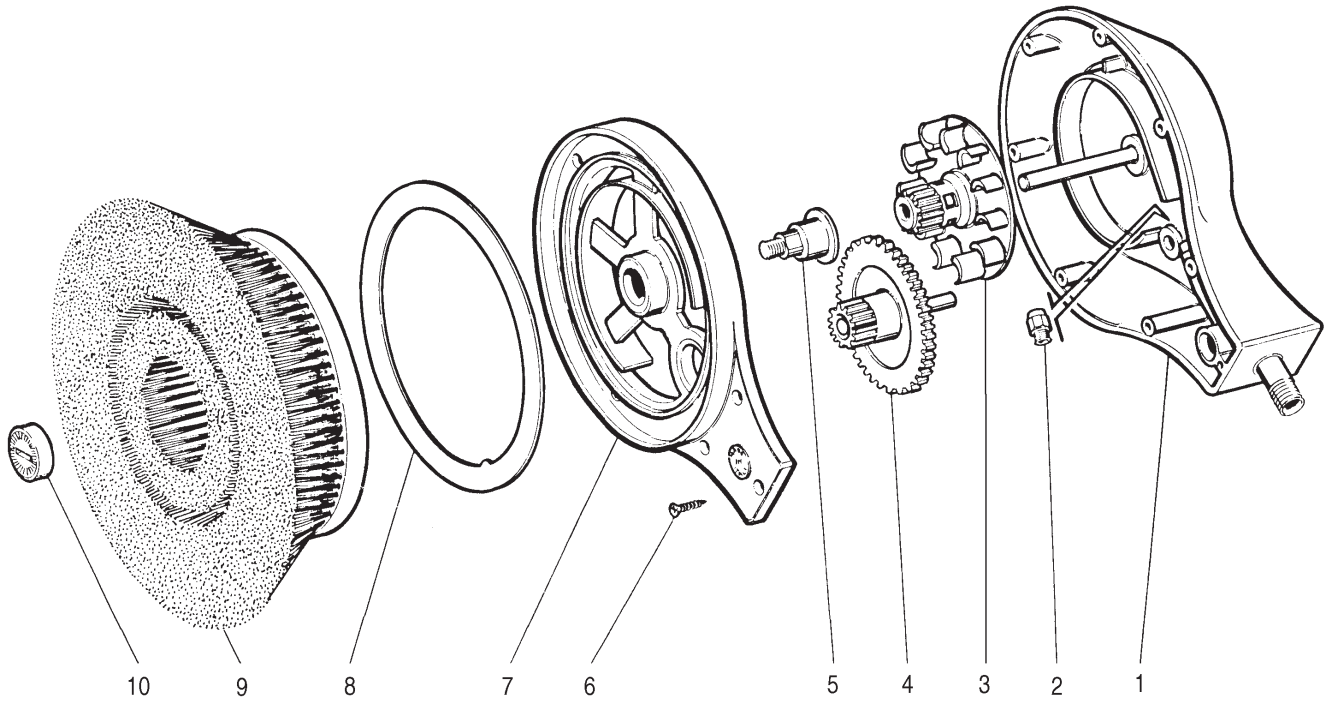
| | | |
|---------------------------|-------------------|---------------------|
| Pressure Range | 125 to 285 PSI | (8.6 to 19.6 BAR) |
| Maximum Temperature | 140°F | (60°C) |
| Inlet Fitting..... | 1/4" NPTM | (1/4" NPTM) |
| Weight | 27 oz. | (0.77 kg) |
| Dimensions..... | 9.5 x 6.0 x 3.25" | (242 x 153 x 83 mm) |

It is not necessary to bear down on the rotating brush as it provides sufficient agitation while spinning without added pressure from the user. Applying too much pressure to the rotating brush head will place excessive load onto the gears and cause premature failure.

Used with a chemical injector in the system, the combination of agitation and chemicals offer additional cleaning flexibility.

“Customer confidence is our greatest asset”

EXPLODED VIEW



PARTS LIST

| ITEM | P/N | MATL | DESCRIPTION | MODEL USED | QTY | ITEM | P/N | MATL | DESCRIPTION | MODEL USED | QTY |
|------|-------|------|--|--------------|-----|------|-------|------|---|--------------|-----|
| 1 | — | NY | Housing w/Guide Pin (1/4" NPT) | All | 1 | 6 | 32506 | STZP | Screw (M3) | All | 8 |
| 2 | 32502 | BB | No. 2 Nozzle (1.5-3.0 GPM, 215-285 PSI) | 34456 | 1 | 7 | 32512 | NY | Housing, Inner w/Bearing Sleeve | All | 1 |
| | 32503 | BB | No. 2.5 Nozzle (3.0-4.0 GPM, 185-260 PSI) | 32156, 34456 | 1 | 8 | 32507 | NY | Ring, Separating | All | 1 |
| | 32504 | BB | No. 3 Nozzle (4.0-5.5 GPM, 140-215 PSI) | 32156 | 1 | 9 | 32500 | NY | Brush w/Gear (Black) | 32156, 34456 | 1 |
| | | | | | | | 32803 | NY | Brush w/Gear (White) | 32155 | 1 |
| 3 | 32509 | NY | Gear, w/Impeller | All | 1 | 10 | 32505 | NY | Button, Retainer | All | 1 |
| 4 | 32508 | NY | Drive Gear w/S.S. Shaft | All | 1 | — | 33220 | ZP | Lance Extension, 12" (300 mm) add .521 to PN | All | 1 |
| 5 | 32511 | BB | Stem, Locking Guide | All | 1 | — | 33221 | ZP | Lance Extension, 20" (500 mm) add .522 to PN | All | 1 |

Italics are optional items.

MATERIAL CODES (Not Part of Part Number): BB=Brass NY=Nylon STZP=Steel/Zinc Plated ZP=Zinc Plated

WARRANTY

90 Day Warranty

Refer to complete Cat Pumps Warranty for further information.

TROUBLESHOOTING

- | | |
|------------------------------------|--|
| <p>Brush will not rotate</p> | <ul style="list-style-type: none"> • Do not bear down excessively on brush. • Gears worn and should be replaced. |
| <p>No chemical being dispersed</p> | <ul style="list-style-type: none"> • Nozzle clogged and should be cleaned or replaced. • Chemical injector improperly set. |

Products described hereon are covered by one or more of the following U.S. patents 3558244, 3652188, 3809508, 3920356, 3930756 and 5035580

World Headquarters

CAT PUMPS

1681 - 94th Lane N.E. Minneapolis, MN 55449-4324

Phone (763) 780-5440 — FAX (763) 780-2958

e-mail: sales@catpumps.com

www.catpumps.com

International Inquiries

FAX (763) 785-4329

e-mail: intl@catpumps.com



"The World's Most Dependable Pumps"

CAT PUMPS (U.K.) LTD.

1 Fleet Business Park, Sandy Lane, Church Crookham, Fleet

Hampshire GU52 8BF, England

Phone Fleet 44 1252-622031 — Fax 44 1252-626655

e-mail: sales@catpumps.co.uk

N.V. CAT PUMPS INTERNATIONAL S.A.

Heiveldekens 6A, 2550 Kontich, Belgium

Phone 32-3-450.71.50 — Fax 32-3-450.71.51

e-mail: cpi@catpumps.be www.catpumps.be

CAT PUMPS DEUTSCHLAND GmbH

Buchwiese 2, D-65510 Idstein, Germany

Phone 49 6126-9303 0 — Fax 49 6126-9303 33

e-mail: catpumps@t-online.de www.catpumps.de