



High Pressure Shut-Off Gun

Model

39420

FEATURES

- Durable, lightweight, shockproof body and trigger.
- Ergonomic construction with smooth trigger action reduce operator fatigue.
- Special safety-lock prevents unintentional operation.
- Stainless steel internal parts and forged inlet housing for durability.

SPECIFICATIONS

Maximum Flow.....	53 gpm	(200 lpm)
Maximum Pressure	2900 psi	(200 bar)
Maximum Temperature	140°F	(60°C)
Maximum Temp. (Intermittent) ...	210°F	(100°C)
Inlet Port	3/4" BSPF	(3/4" BSPF)
Outlet Port	1/2" BSPF	(1/2" BSPF)
Weight.....	2.75 lbs.	(1.25 kg)
Dimensions.....	8.62 x 8.50 x 1.50"	(219 x 216 x 38 mm)

Gun is stamped with a European safety pressure. Use only at above specifications to assure proper gun life and performance.

SELECTION: Select a gun to match your system flow and pressure requirements, temperature and function being performed.

INSTALLATION: Install the appropriate regulating device when using a shut-off gun to avoid pressure spikes when the gun is shut off. Severe damage may occur to your system without this device.

OPERATION: Flow through the gun occurs by squeezing the trigger on the gun. This activates the actuator rod, lifting the ball off the seat, allowing the pumped liquid to flow through the valve body chamber in the gun. Releasing the trigger shuts off the flow.

A special safety latch (Red) locks the gun closed to prevent unintentional operation when left unattended.

⚠ CAUTIONS AND WARNINGS

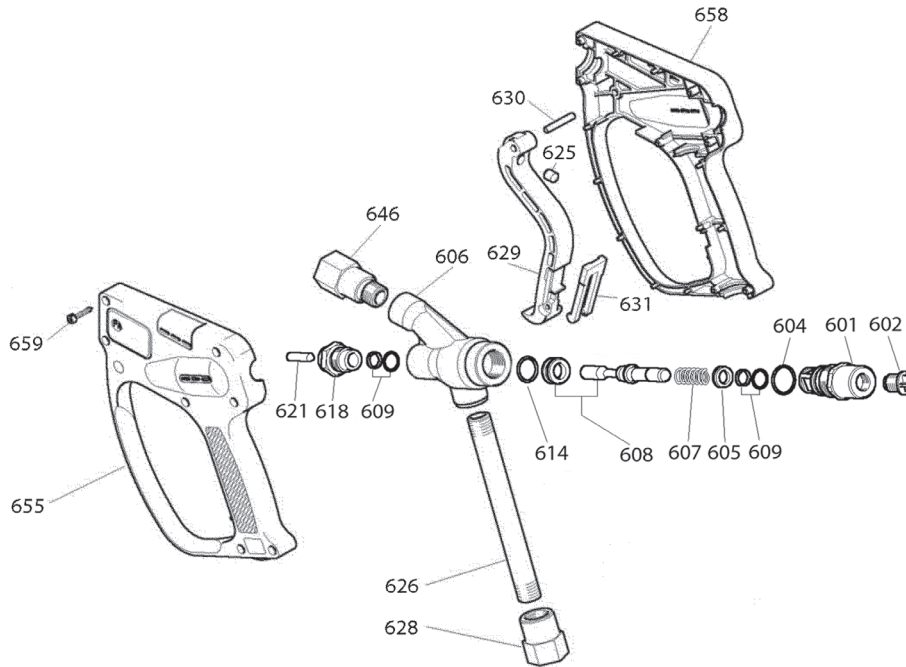
All High Pressure Systems require a primary pressure regulating device (i.e. regulator, unloader) and a secondary pressure relief device (i.e. pop-off valve, relief valve). Failure to install such relief devices could result in personal injury or damage to pump or property. CAT PUMPS does not assume any liability or responsibility for the operation of a customer's high pressure system.

Read all CAUTIONS and WARNINGS before commencing service or operation of any high pressure system. The CAUTIONS and WARNINGS are included in each service manual and with each Accessory Data sheet. CAUTIONS and WARNINGS can also be viewed online at www.catpumps.com/cautions-warnings or can be requested directly from CAT PUMPS.

WARRANTY

View the Limited Warranty on-line at www.catpumps.com/warranty.

EXPLODED VIEW



PARTS LIST

ITEM	P/N	MATL	DESCRIPTION	QTY	ITEM	P/N	MATL	DESCRIPTION	QTY
601	—	BB	Plug, Spring	1	628	—	S	Fitting, Inlet (3/4" BSPF)	1
602	39401	NY	Plug, Rear (1/4" BSPM)	1	629	—	NY	Trigger (Black)	1
604	32926	NBR	O-Ring, Plug -85D	1	630	—	BB	Pin, Trigger	1
605	—	BB	Spacer	1	631	—	NY	Latch, Safety (Red)	1
606	—	BB	Body	1	646	—	S	Fitting, Discharge (1/2" BSPF)	1
607	—	S	Spring	1	655	—	NY	Handle, Left Half	1
608	—	S	Seat, Piston (2 piece set)	1	658	—	NY	Handle, Right Half	1
609	39421	NBR	Seal, Piston with o-ring	2	659	—	S	Screw, (M3.5 x 18)	7
614	33043	NBR	O-Ring, Seat	1	665	31797	—	Assy, Handle (Incls: 655, 658, 659)	1
618	39408	BB	Retainer, Piston	1	667	31839	—	Assy, Trigger (Incls: 625, 629, 630, 631)	1
621	—	S	Rod, Actuator	1	668	39283	NBR*	Kit, Gun Repair (Incls: 604, 607, 608, 609, 614)	1
625	—	S	Striker	1					
626	—	S	Pipe, Inlet	1					

*Italics are optional items. *Review material codes for individual parts (FPM O-Ring is used)*

MATERIAL CODES: (Not Part of Part Number): BB=Brass FPM=Fluorocarbon NBR=Medium Nitrile (Buna-N) NY=Nylon PTFE=Pure Polytetrafluoroethylene S=304SS SSS=416SS

TROUBLESHOOTING

- | | |
|---|--|
| Liquid leaking from discharge of gun | <ul style="list-style-type: none"> • Foreign material lodged between piston and seat. • Clean, examine parts for any damage and replace as needed. • Piston or seat pitted or worn. Replace as needed. |
| Liquid leaking from rear of gun or plug, loss of pressure | <ul style="list-style-type: none"> • Examine O-ring on seat and trigger area replace as needed. • Examine O-ring and back-up-ring on piston and replace as needed. • Examine washer for seat and replace as needed. • Examine O-ring and back-up-ring on piston and replace as needed. • Check nozzle for foreign material lodged in nozzle or worn nozzle and replace as needed. |

⚠ WARNING

Severe injury can occur with high pressure spray. Do not allow spray to contact any part of body.



CAT PUMPS

1681 - 94TH LANE N.E. MINNEAPOLIS, MN 55449-4324
 PHONE (763) 780-5440 — FAX (763) 780-2958
 e-mail: techsupport@catpumps.com
 www.catpumps.com