



Pressure Regulators Models

Without Handle 7085

With Handle 7085C

FEATURES

- Provides system pressure setting and protection for single gun or multiple gun installations.
- Compact size and easy installation.
- Adjusting cap permits easy adjustments of pressure.
- Panel mount bracket available.

SPECIFICATIONS

	U.S. Measure	Metric Measure
Flow Range	1.0-3.5 gpm	(3.8-13.2 lpm)
Pressure Range.....	205-2300 psi	(14-158 bar)
Maximum Temperatures:.....	195°F	(90°C)
Inlet Port	1/4" BSPM	(1/4" BSPM)
By-Pass Port (Internal).....	1/8" BSPF	(1/8" BSPF)
By-Pass Port (External Hose Barb)	1/2"	(13 mmGH)
Weight.....	4.8 oz.	(0.13 kg)
Dimensions.....	3.0 x 1.5 x 1.0"	(76 x 38 x 25 mm)

⚠ CAUTIONS AND WARNINGS

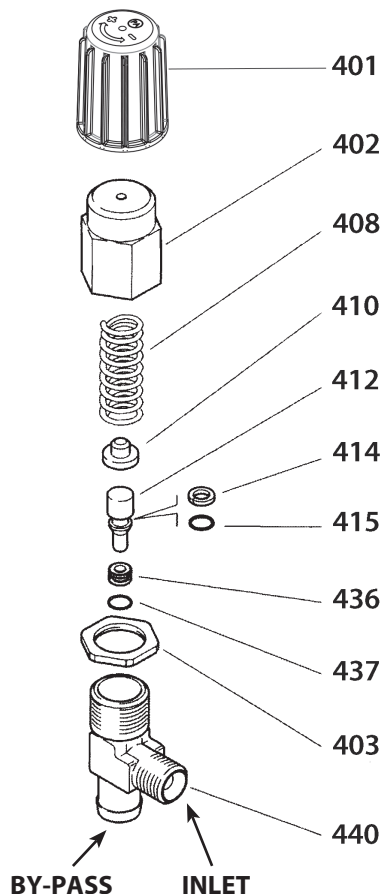
All High Pressure Systems require a primary pressure regulating device (i.e. regulator, unloader) and a secondary pressure relief device (i.e. pop-off valve, relief valve). Failure to install such relief devices could result in personal injury or damage to pump or property. CAT PUMPS does not assume any liability or responsibility for the operation of a customer's high pressure system.

Read all CAUTIONS and WARNINGS before commencing service or operation of any high pressure system. The CAUTIONS and WARNINGS are included in each service manual and with each Accessory Data sheet. CAUTIONS and WARNINGS can also be viewed online at www.catpumps.com/cautions-warnings or can be requested directly from CAT PUMPS.

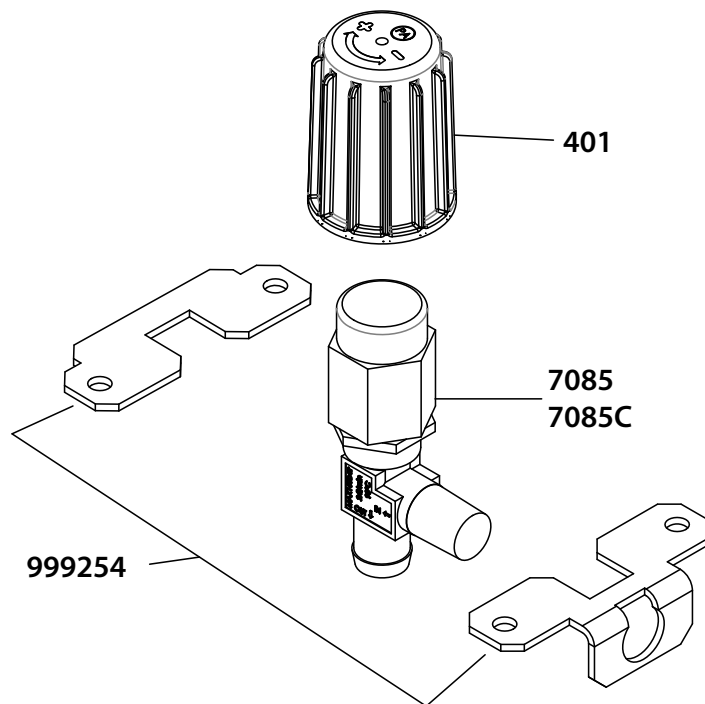
WARRANTY

View the Limited Warranty on-line at www.catpumps.com/warranty.

EXPLODED VIEW



BRACKET VIEW



PARTS LIST

ITEM	PN	MATL	DESCRIPTION	QTY
401	32088	NY	Handle, Adjusting Black (Model 7085C)	1
402	33859	BB	Cap, Adjusting	1
403	31047	BB	Nut, Lock	1
408	—	STL	Spring	1
410	32819	STZP	Retainer, Spring	1
412	33431	SSS	Piston	1
414	—	PTFE	Back-up-Ring, Piston	1
415	—	NBR	O-Ring, Piston	1
436	—	S	Seat	1
437	—	NBR	O-Ring, Seat	1
440	—	FBB	Body	1
468	33069	NBR	<i>Kit, Repair (Incls: 414, 415, 436, 437)</i>	1
471	999254	STZP	<i>Assembly, Panel Bracket (Hardware Not Included)</i>	1

Italics are optional items.

R Components comply with RoHS Directive.

MATERIAL CODES (Not Part of Part Number): BB=Brass FBB=Forged Brass NBR=Medium Nitrile (Buna-N)
 NY=Nylon PTFE=Pure Polytetrafluoroethylene S=304SS SSS= 416SS STL=Steel STZP=Steel/Zinc Plated



CAT PUMPS

1681 - 94TH LANE N.E. MINNEAPOLIS, MN 55449-4324
 PHONE (763) 780-5440 — FAX (763) 780-2958
 e-mail: techsupport@catpumps.com
 www.catpumps.com