



Micro Inline Filter

Model

7203
7204

SPECIFICATIONS

	U.S. Measure	Metric Measure
Maximum Flow	10 GPM	(38 L/M)
Inlet Pressure @ 70°F	10 to 150 PSI	(0.7 to 10.5 BAR)
@ 125°F ...	10 to 100 PSI	(0.7 to 7 BAR)
Maximum Temperature	125°F	(52°C)
Inlet/Discharge Port		
7203.....	1/2" NPTM	(1/2" NPTM)
7204	1/2" NPTF	(1/2" NPTF)
Mesh	80	(80)
Micron Equivalent.....	178	(178)
Weight	3 oz.	(0.08 kg)
Dimensions.....	3.0 x 1.75 x 2.67"	(76 x 44.5 x 68 mm)
Order .Suffix Numbers for clear bowl, eg:	7203.3 or 7204.4	

FEATURES

- Durable nylon body for corrosion resistance.
- Easily cleaned without removing filter or inlet plumbing.
- Flow from inside out so sediment collects inside filter.
- Optional mesh sizes down to 10 micron for small R.O. pre-filter applications.

SELECTION: Select a filter appropriate for the flow and pumped liquid in your system. **Typically the filter capacity should be two times the pump flow rate.** Both white and clear bowls are available. The clear bowl will immediately show a clogged screen.

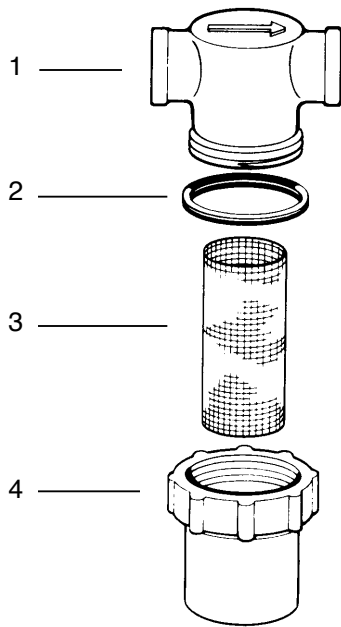
INSTALLATION: An inline filter is normally installed on the inlet side of the pump. The arrow molded in the filter cap indicates the direction of flow through the filter. A shut-off valve is recommended between the filter and liquid source for convenience when cleaning the screen.

OPERATION: This filter must be used with a pressurized flow at maximum GPM. Flow through the filter is from the inside out, collecting the sediment inside the filter. Regular checking and cleaning of the screen is suggested to avoid restricting the inlet flow to the pump.

MAINTENANCE: Flush screen regularly and reinstall into body. Check gasket for cuts or wear and replace if necessary to assure proper seal. Thread body and cap hand tight for proper seal.

“Customer confidence is our greatest asset”

EXPLODED VIEW



PARTS LIST

ITEM	P/N	MATL	DESCRIPTION	QTY
1	—	—	Body	1
2	31171	NBR	Gasket, 1/2"	1
3	31172	S	Screen, 1/2", 80 Mesh	1
4	31177	NY	Bowl, White, 1/2"	1
4	31178	NY	Bowl, Clear, 1/2"	1

MATERIAL CODES (Not Part of Part Number):

NBR=Medium Nitrile (Buna-N) NY=Nylon S=304SS

Optional mesh sizes and materials available.

INLET FILTER WORKSHEET

For proper selection of your inlet filter, the following criteria should be considered:

Maximum System Flow _____ GPM (L/M)

Maximum Inlet Pressure _____ PSI (BAR)

Liquid being pumped/Concentration _____ / _____ %
 _____ / _____ %

Maximum temperature of liquid pumped _____ °F (°C)

Density of liquid pumped _____ Spec. Gravity

Nature of Solids _____

Size of Solids _____ microns Volume of Solids _____ ppm

Viscosity of liquid pumped _____ CPS _____ SSU

Maximum pressure drop when clean _____ PSI (BAR)

Mesh size _____ (80 standard)

Frequency of cleaning (per) ____ Day ____ Week ____ Month

Material of body _____ Strainer _____

Clearance limitations beyond pump _____ inches (mm)

WARRANTY

90 Day Warranty

Refer to complete CAT PUMPS Warranty for further information.

World Headquarters

CAT PUMPS

1681 - 94th Lane N.E. Minneapolis, MN 55449-4324

Phone (763) 780-5440 — FAX (763) 780-2958

e-mail: techsupport@catpumps.com

www.catpumps.com

International Inquiries

FAX (763) 785-4329

e-mail: intlsales@catpumps.com



The Pumps with Nine Lives

CAT PUMPS (U.K.) LTD.

1 Fleet Business Park, Sandy Lane, Church Crookham

FLEET, Hampshire, GU52 8BF, England

Phone Fleet 44 1252-622031 — Fax 44 1252-626655

e-mail: sales@catpumps.co.uk

N.V. CAT PUMPS INTERNATIONAL S.A.

Heiveldkens 6A, B-2550 Kontich, Belgium

Phone 32-3-450.71.50 — Fax 32-3-450.71.51

e-mail: cpi@catpumps.be www.catpumps.be

CAT PUMPS DEUTSCHLAND GmbH

Buchwiese 2, D-65510 Idstein, Germany

Phone 49 6126-9303 0 — Fax 49 6126-9303 33

e-mail: catpumps@t-online.de www.catpumps.de