



992222 Series Twin-Foam Gun

For Model 3CP1120GFM.055

992222.055

For Model 5CP6120G1FM.130

992222.130

For Model 56G1FM.150

992222.150

For Model 7CP6110G1FM.170

992222.170

FEATURES

- Quick conversion from straight stream to wide angle coverage by rotating the lance.
- Straight stream delivers fine mist along with penetrating stream for quick fire suppression.
- Aspirating nozzles create excellent foam expansion (7:1 expansion ratio)

SELECTION: Select a gun to match your system flow and pressure requirements, temperature and function being performed.

INSTALLATION: Install the appropriate regulating device when using a Twin-Foam gun to avoid pressure spikes when the gun is shut off. Severe damage may occur to your system without this device.

OPERATION: Flow through the gun occurs by squeezing the trigger on the gun. The twin foam gun features two separate nozzles. Be sure the nozzles are vertical, then pull trigger. To change the nozzle setting; release the trigger, stopping flow, and rotate lance 180°.

⚠ CAUTIONS AND WARNINGS

All High Pressure Systems require a primary pressure regulating device (i.e. regulator, unloader) and a secondary pressure relief device (i.e. pop-off valve, relief valve). Failure to install such relief devices could result in personal injury or damage to pump or property. CAT PUMPS does not assume any liability or responsibility for the operation of a customer's high pressure system.

Read all CAUTIONS and WARNINGS before commencing service or operation of any high pressure system. The CAUTIONS and WARNINGS are included in each service manual and with each Accessory Data sheet. CAUTIONS and WARNINGS can also be viewed online at www.catpumps.com/cautions-warnings or can be requested directly from CAT PUMPS.

WARRANTY

View the Limited Warranty on-line at www.catpumps.com/warranty.

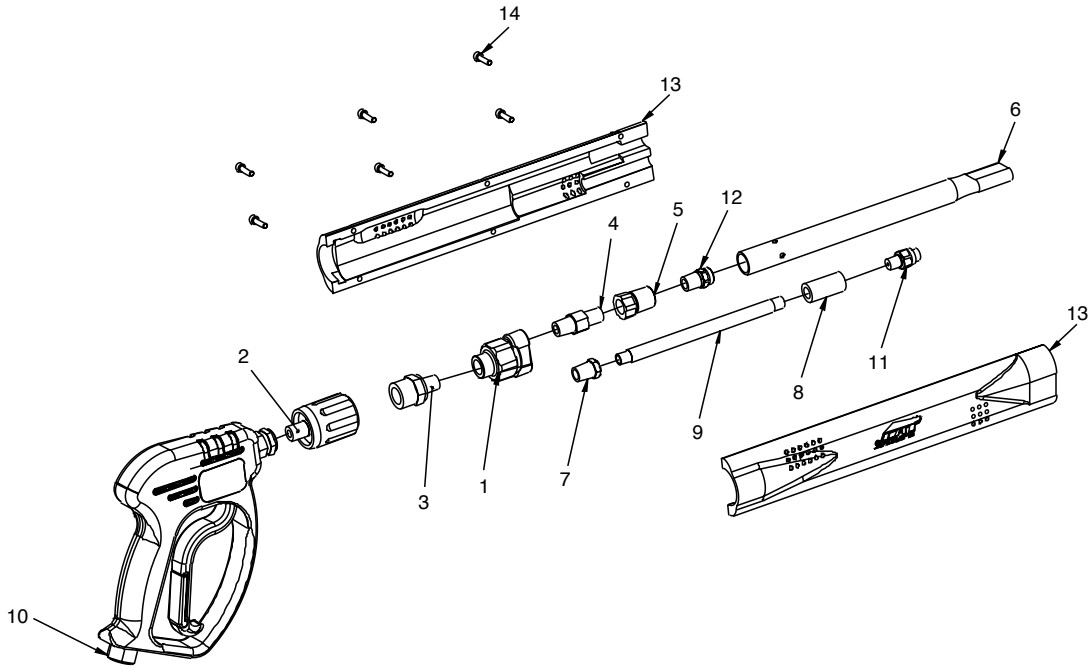
SPECIFICATIONS

	U.S. Measure	Metric Measure
Model 992222.055		
Maximum Flow.....	3.5 gpm	(13.25 lpm)
Model 992222.130		
Maximum Flow.....	6.7 gpm	(25.36 lpm)
Model 992222.150		
Maximum Flow.....	8.0 gpm	(30.28 lpm)
Model 992222.170		
Maximum Flow.....	10.0 gpm	(37.85 lpm)

COMMON SPECIFICATIONS

	U.S. Measure	Metric Measure
Maximum Pressure	2500 psi	(172.37 bar)
Maximum Temperature	140°F	(60°C)
Inlet Fitting	3/8" NPTF	(3/8" NPTF)
Weight (Gun).....	4.25 lbs.	(2.04 kg)
Dimensions (Gun Only)	8.26 x 5.39 x 1.15"	(210 x 137 x 29mm)
Dimensions (With Lance).....	8.26 x 22.0 x 1.15"	(210 x 559 x 29mm)

EXPLODED VIEW



COMMON PARTS LIST

ITEM	PART NO.	MATL	DESCRIPTION	QTY
1	32149	BBCP R	Nozzle, Changeover, Dual Outlet	1
2	998651	BB	Connector, QC, Swivel, 1/4"	1
3	998652	BB	Nipple, QC, 1/4"	1
4	991640	SS	Nipple, Hex 1/4"	1
5	998635	S	Fitting, Aspirator, 1/4" NPTF	1
6	998636	S	Tube, Aspirator	1
7	998648	S	Bushing, 1/4"NPTM x 1/8"NPTF	1
8	998650	S	Coupling, 1/8"NPTF	1
9	998649	S	Nipple, 1/8"NPTM x 6"	1
10	36140	BB	Gun, 3/8"NPTF x 1/4"NPTF	1
13	992222	AL	Housing, Assembly	1
14	998647	S	Screw, HSH (No. 8-32 x 5/8")	6

MODEL PARTS LIST

ITEM	PART NO.	MATL	DESCRIPTION	QTY
MODEL 992222.055				
11	30070	BBCC	Nozzle, 1/8"NPTM, #5.5	1
12	998640.053	BB	Nozzle, Aspirator, 1/4"NPTM, #5.3	1
MODEL 992222.130				
11	711300.8	SSSS	Nozzle, 1/8"NPTM, #13.0	1
12	998640.132	BB	Nozzle, Aspirator, 1/4"NPTM, #13.2	1
MODEL 992222.150				
11	711500.8	SSSS	Nozzle, 1/8"NPTM, #15.0	1
12	998640.147	BB	Nozzle, Aspirator, 1/4"NPTM, #14.7	1
MODEL 992222.170				
11	711507.8	SSSS	Nozzle, 1/8"NPTM, #17.0	1
12	998640.170	BB	Nozzle, Aspirator, 1/4"NPTM, #17.0	1

MATERIAL CODES (Not Part Of Part Number) AL=Aluminum, BB=Brass, BBCC=Brass/Ceramic, BBCP=Brass/Chrome plated, S=304SS, SS=316SS, SSSS=440SS

TROUBLESHOOTING

- | | |
|---|--|
| Liquid leaking from discharge of gun | <ul style="list-style-type: none"> Foreign material lodged between piston and seat. Clean, examine parts for any damage and replace as needed. Piston or seat pitted or worn. Replace as needed. |
| Liquid leaking from trigger area | <ul style="list-style-type: none"> Examine O-ring and back-up-ring on seat and replace as needed. Examine O-ring and back-up-ring on piston and replace as needed. Examine washer for seat and replace as needed. |
| Liquid leaking from rear of gun or plug, loss of pressure | <ul style="list-style-type: none"> Examine O-ring and back-up-ring on piston and replace as needed. Check nozzle for foreign material lodged in nozzle or worn nozzle and replace as needed. |

⚠ WARNING

Severe injury can occur with high pressure spray. Do not allow spray to contact any part of body.



CAT PUMPS

1681 - 94TH LANE N.E. MINNEAPOLIS, MN 55449-4324
 PHONE (763) 780-5440 — FAX (763) 780-2958
 e-mail: techsupport@catpumps.com
 www.catpumps.com