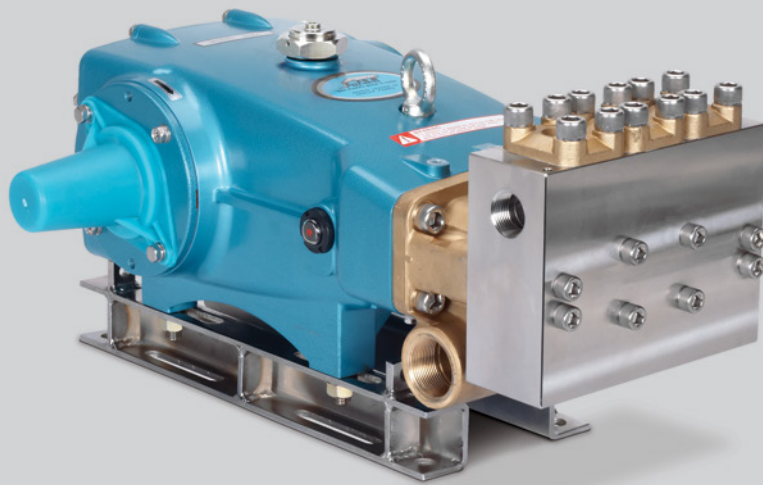


ATEX Certified

Product Suitability



Product Quality, Reliability and Support You Expect

www.catpumps.com

ATEX Compliant

We are pleased to announce that Cat Pumps offers a full range of pumps that meet the ATEX directive for pumps used in an explosive atmosphere. The ATEX directive addresses many European Union directives describing what equipment and work environment is allowed in an environment with an explosive atmosphere.

Our pump compliance to the ATEX directive is common in the industries like petrochemical, chemical, oil and gas and bio-fuels and will facilitate sales into these markets.

Under the ATEX Directive, equipment is designated by group, category, and zone. Cat Pumps has been certified as ATEX 2 which also covers all the ATEX 3 requirements.

The following pump series comply with the ATEX directive for Group 2, Category 2, and Zones 1 and 2. This Group 2 includes Zones G [1 & 2]

Pump Series

- 3CP* Plunger Pumps
- 3 Frame* Plunger Pumps
- 5CP* Plunger Pumps
- 5 Frame* Plunger Pumps
- 7CP* Plunger Pumps
- 7 Frame* Plunger Pumps
- 8 Frame Plunger Pumps
- 15 Frame Plunger Pumps
- 18 Frame Plunger Pumps
- 25 Frame Plunger Pumps
- 28 Frame Plunger Pumps
- 35 Frame Plunger Pumps
- 38 Frame Plunger Pumps
- 60 Frame Plunger Pumps
- 68 Frame Plunger Pumps

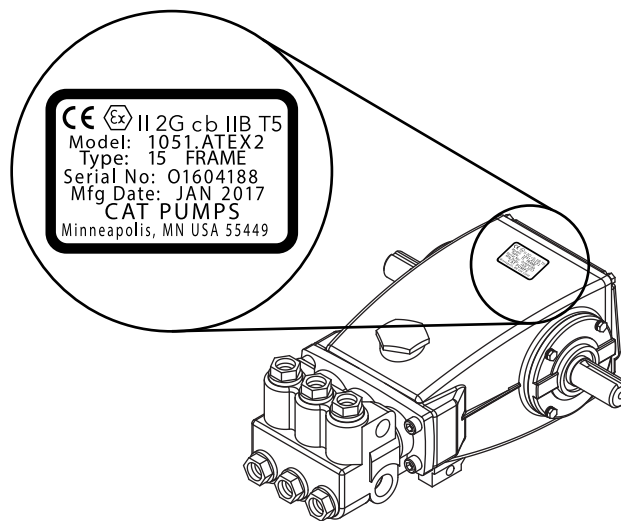
* Excludes models equipped with gearbox

Equipment Designations

- Group 2 identifies equipment used in hazardous explosive atmospheres other than mining.
- Category 2 defines the level of protection required. Equipment in this category is intended for use in areas in which explosive atmospheres caused by gases, vapors, mists, or air/dust mixtures are likely to occur.
- Category 3 is equipment intended for use in areas in which explosive atmospheres caused by gases, vapors, mists or air/dust mixtures are unlikely to occur or, if they do occur, are likely to do so only infrequently and for a short period only.
- Zone 1 is a place in which an explosive atmosphere consisting of a mixture with air of dangerous substances in the form of gas, vapor or mist is likely to occur in normal operation occasionally.
- Zone 2 is an area in which an explosive gas mixture is not likely to occur in normal operation and if it occurs it will exist only for a short time.

All our special ATEX certified high pressure pumps will be specially labeled, come with a signed ATEX Declaration of Conformity, a pump data sheet and a copy of Supplementary Installation, Operation & Servicing Instructions for pumps in potentially explosive atmospheres.

All pumps will be numbered with the “.ATEX2” suffix added to the standard pump model number. (See example below)



Contact Cat Pumps for more information at info@catpumps.com or 763-780-5440



CAT PUMPS

1681 - 94TH LANE N.E. MINNEAPOLIS, MN 55449-4324
PHONE (763) 780-5440 — FAX (763) 780-2958
e-mail: techsupport@catpumps.com
www.catpumps.com