

MODEL 5CP6190 PLUNGER PUMP



10 GPM – 1,200 PSI

Designed for Direct Drive Prep Units

The 5CP6190 pump is a durable direct drive prep pump recognized for its extremely long service life. Bell housings and flex couplers are available as individual components or assembled as a complete pump/motor assembly. Take advantage of the convenience of direct drive with off-the-shelf delivery from Cat Pumps.

Direct Drive Features

- Ease of assembly reduces time and labor costs
- Compact direct mounting reduces space requirement
- Eliminates belt selection, sizing and adjustment
- Bell housing are cast from light weight, high-strength aluminum alloy

Selection chart for individual components

Motor Size	Bell Housing	Flex Coupler
182/184TC	76184.5CP	8230
213/215TC	76215.5CP	8275

Selection chart for motorized unit

Includes Pump, Motor, Bell Housing and Flex Coupler

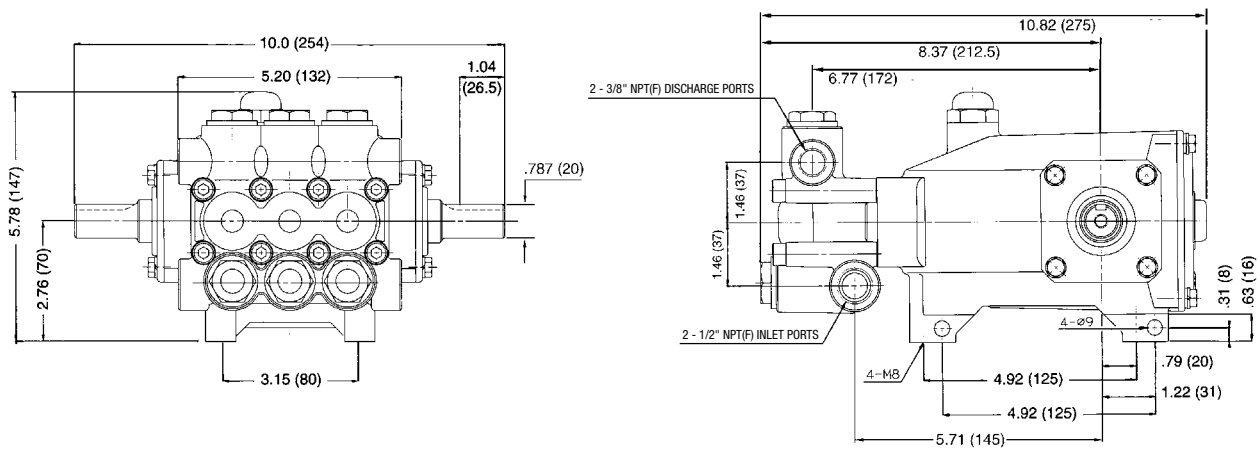
Unit Number	Max Pressure	Motor HP*
5CP6190BH53	750 psi	5
5CP6190BH73	1100 psi	7.5
5CP6190BH103	1200 psi	10

* Motor Specs – 208-230/460, 60 Hz, 3 PH, 1725 RPM. Other motors available; contact Cat Pumps for details.

Specifications

	US Measure	Metric Measure
Flow	10 gpm	38 lpm
Pressure	1200 psi	83 bar
RPM	1800	1800
Inlet Pressure Range	Flooded – 60 psi	Flooded – 4 bar
Max Liquid Temperature	160°F	71°C
Inlet Ports (2)	1/2" NPT(F)	1/2" NPT(F)
Discharge Ports (2)	3/8" NPT(F)	3/8" NPT(F)
Weight	19.9 lbs	9.0 kg
Dimensions	10.82 x 10.0 x 5.78"	275 x 254 x 147 mm

Dimensions



Popular Accessories



Unloader
PN 7693
2.5 – 10.5 GPM
230 – 2,300 PSI



Pulsation Dampener
PN6029
1 – 15 GPM
3,000 PSI



Pressure Gauge
PN 6088
0 – 3,000 PSI



Inlet Strainer
PN 7104.4
1/2" NPT(F)
10 GPM Max



Oil
PN 6107
25 oz. Bottle
Specially Formulated for
Extended Protection

Contact Cat Pumps for pricing or more information at info@catpumps.com or 763-780-5440



CAT PUMPS
1681 - 94TH LANE N.E. MINNEAPOLIS, MN 55449-4324
PHONE (763) 780-5440 — FAX (763) 780-2958
e-mail: techsupport@catpumps.com
www.catpumps.com