

DIRECT DRIVE PREP PUMPS



5CP6120

7.4 GPM – 1,200 PSI

5CP6180CSS

8.2 GPM – 1,500 PSI

5CP6190

10 GPM – 1,200 PSI



Designed for Direct Drive Prep Units

Durable direct drive prep pump recognized for its extremely long service life. Bell housings and flex couplers are available as individual components or assembled as a complete pump/motor assembly. Take advantage of the convenience of direct drive with off-the-shelf delivery from Cat Pumps.

Direct Drive Features

- Ease of assembly reduces time and labor costs.
- Compact direct mounting reduces space requirement.
- Eliminates belt selection, sizing and adjustment.
- Bell housings are cast from lightweight, high-strength aluminum alloy.

Selection chart for mounting components

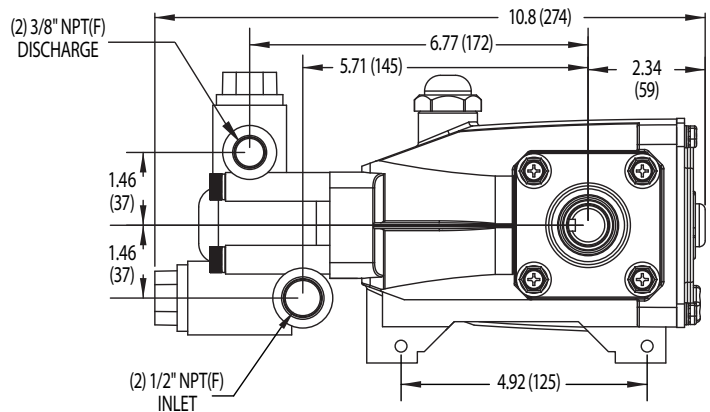
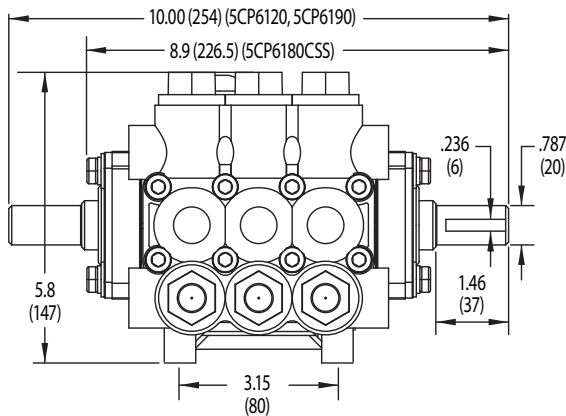
Motor Size	Bell Housing	Flex Coupler
182/184TC	76184.5CP	8230
213/215TC	76215.5CP	8275



Specifications

	5CP6120	5CP6180CSS	5CP6190
Flow	7.4 gpm	8.2 gpm	10 gpm
Pressure	1200 psi	1500 psi	1200 psi
RPM	1725 rpm	1750 rpm	1750 rpm
Inlet Pressure Range	Flooded – 60 psi	Flooded – 60 psi	Flooded – 60 psi
Max Liquid Temperature	160°F	160°F	160°F
Inlet Ports (2)	1/2" NPT(F)	1/2" NPT(F)	1/2" NPT(F)
Discharge Ports (2)	3/8" NPT(F)	3/8" NPT(F)	3/8" NPT(F)
Weight	19.9 lbs	19.9 lbs	19.9 lbs
Dimensions	11.0 x 10.0 x 5.82"	11.0 x 10.0 x 5.82"	11.0 x 10.0 x 5.82"

Dimensions



Popular Accessories



Unloader

PN 7693
2.5 – 10.5 GPM
230 – 2,300 PSI



Pulsation Dampener

PN6029
1 – 15 GPM
3,000 PSI



Pressure Gauge

PN 6088
0 – 3,000 PSI



Inlet Strainer

PN 7104.4
1/2" NPT(F)
10 GPM Max



Oil

PN 6107
21 oz. Bottle
Specially Formulated for
Extended Protection

Contact Cat Pumps for pricing or more information at info@catpumps.com or 763-780-5440



CAT PUMPS

1681 - 94TH LANE N.E. MINNEAPOLIS, MN 55449-4324
PHONE (763) 780-5440 — FAX (763) 780-2958
e-mail: techsupport@catpumps.com
www.catpumps.com