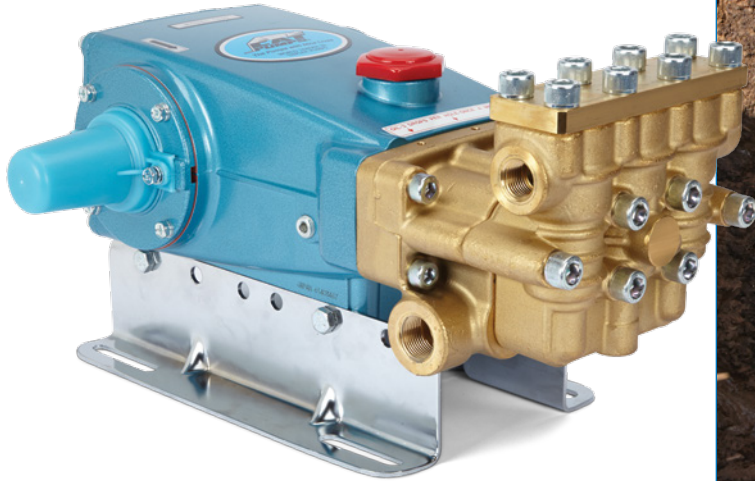


MODEL 1580 PLUNGER PUMP



12 GPM – 3,000 PSI

Designed for Long Service Life

Cat Pumps model 1580 performance rating of 12 gpm/45.4 lpm at 3,000 psi/207 bar makes this pump a perfect fit for demanding applications such as hydroexcavating and heavy equipment cleaning. The 1580 is the ideal combination of high performance, compact footprint and competitive pricing.

Cat Pumps engineers have optimized every detail to produce a pump with incredible service life. Concentric, high-density polished solid plungers provide a true wear surface that results in incredible seal life. The drive-end uses matched connecting rods and oversized bearings to provide thousands of hours of trouble-free service. The 1580 is what you expect from Cat Pumps — high quality, dependable products backed by the industry's best customer service and support.

Features:

- V-Packings and Lo-Pressure seals are completely lubricated and cooled, greatly increasing service life.
- Oversized crankshaft bearings with greater loading capacity provide longer bearing life.
- Optional drives – direct drive, pulley or clutch – meets a variety of application needs.
- Compact design for easy mounting in confined spaces.

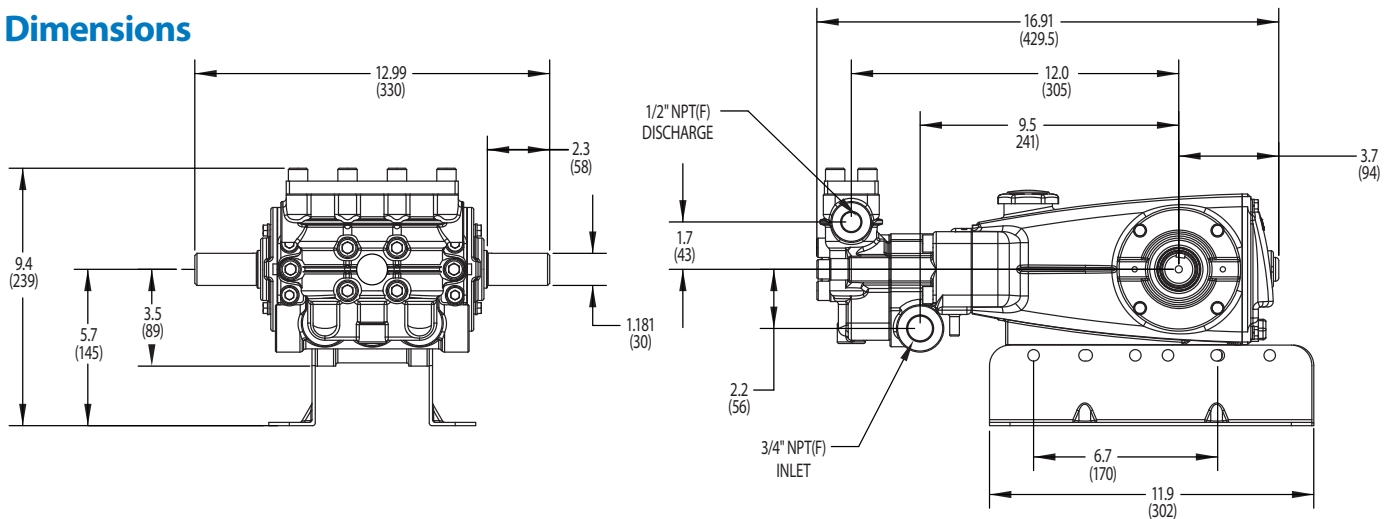
Typical Applications:

- Hydroexcavation
- Water Jetting
- Food Processing Cleaning
- Heavy Equipment Cleaning
- Multi-gun Washdown System

Specifications

	US Measure	Metric Measure
Flow	12.0 gpm	45.4 lpm
Pressure	3,000 psi	207 bar
RPM	1180	1180
Inlet Pressure Range	Flooded – 70 psi	Flooded – 4.9 bar
Max Liquid Temperature	140°F	60°C
Inlet Ports (2)	3/4" NPT(F)	3/4" NPT(F)
Discharge Ports (2)	1/2" NPT(F)	1/2" NPT(F)
Weight	59.5 lbs	27 kg
Dimensions	16.91 x 12.99 x 7.24"	429.5 x 330 x 184 mm

Dimensions



Popular Accessories



Unloader
PN 7542
1 – 21 GPM
800 – 4000 PSI



Pop-Off Valve
PN 9940
1 – 25 GPM
1000 – 4000 PSI



Pressure Gauge
PN 6089
0 – 6,000 PSI



Inlet Strainer
PN 7104.4
1/2" NPTF
10 GPM Max



Oil
PN 6107
21 oz. Bottle
Specially Formulated for
Extended Protection

Contact Cat Pumps for pricing or more information at techsupport@catpumps.com or 763-780-5440



CAT PUMPS
1681 - 94TH LANE N.E. MINNEAPOLIS, MN 55449-4324
PHONE (763) 780-5440 — FAX (763) 780-2958
e-mail: techsupport@catpumps.com
www.catpumps.com