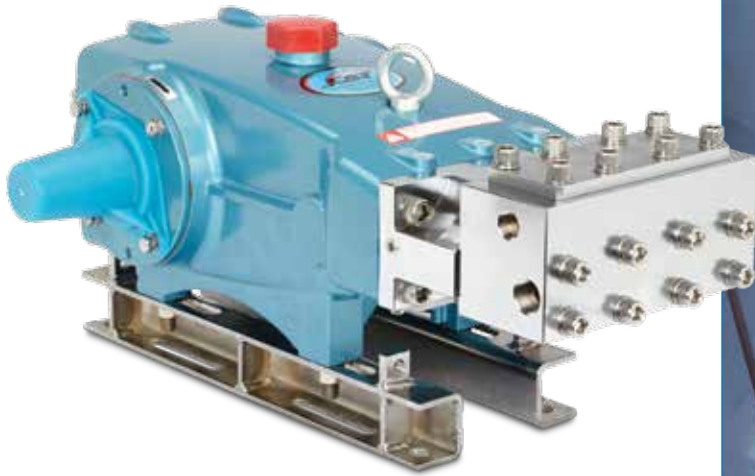


MODEL 3550 PLUNGER PUMP



10 GPM – 6,000 PSI

Designed for Maximum Dependability

Cat Pumps model 3550 raises the bar for high-performance, high-pressure pumps. The 3550 is the perfect pump for demanding applications requiring long-life and dependable performance. At 6,000 psi/414 bar, this pump matches well to demanding applications such as hydrostatic and destruct testing.

Using advanced engineering design software, Cat Pumps engineers have optimized every detail to produce a pump with incredible service life. Concentric, high-density polished solid plungers provide a true wear surface that results in long seal life. The drive end uses matched connecting rods and oversized bearings to provide thousands of hours of trouble-free service. The 3550 is what you expect from Cat Pumps — high quality, dependable products backed by the industry's best customer service and support.

Features:

- V-Packings and Lo-Pressure seals are completely lubricated and cooled, greatly increasing service life.
- Pump high-pressure manifold is easily serviced without entering crankcase, reducing field service time.
- Oversized crankshaft bearings with greater loading capacity provide longer bearing life.
- Nickel plated brass manifolds for corrosion resistance and high strength.

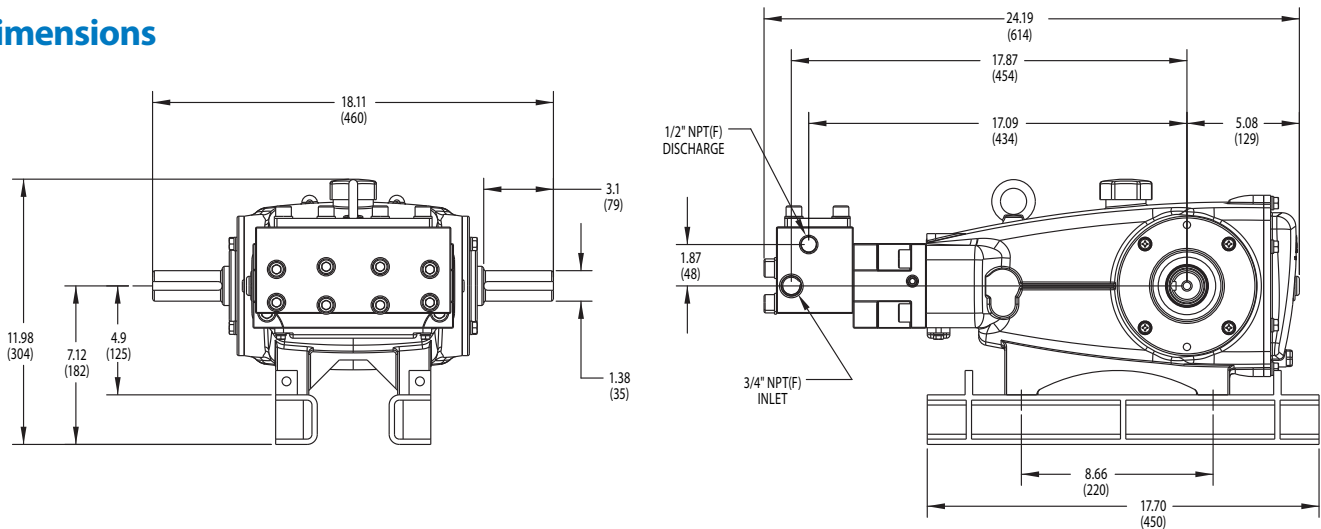
Typical Applications:

- Hydrostatic and Destruct Testing
- Water Jetting
- High-Pressure Tooling
- Water Blasting
- High-Pressure Injection
- Surface Preparation

Specifications

	US Measure	Metric Measure
Flow	10.0 gpm	38 lpm
Pressure	6000 psi	414 bar
RPM	940	940
Inlet Pressure Range	Flooded - 70 psi	Flooded - 4.9 bar
Max Liquid Temperature	140°F	60°C
Inlet Ports (2)	3/4" NPT(F)	3/4" NPT(F)
Discharge Ports (2)	1/2" NPT(F)	1/2" NPT(F)
Weight	124 lbs	56.4 kg
Dimensions	24.19 x 18.11 x 9.72"	614 x 460 x 247 mm

Dimensions



Popular Accessories



Unloader
PN 7576
0 – 21 GPM
1500 – 7250 PSI



Relief Valve
PN 7196
0 – 21 GPM
100 – 7250 PSI



Pressure Gauge
PN 6089
0 – 6,000 PSI



Pulsation Dampener
PN 6011
100 – 7200 PSI



Oil
PN 6107
32 oz. Bottle
Specially Formulated for
Extended Protection

Contact Cat Pumps for pricing or more information at techsupport@catpumps.com or 763-780-5440



CAT PUMPS
1681 - 94TH LANE N.E. MINNEAPOLIS, MN 55449-4324
PHONE (763) 780-5440 — FAX (763) 780-2958
e-mail: techsupport@catpumps.com
www.catpumps.com