

# MODEL 4DNX SERIES PLUNGER PUMPS



2.5 or 2.7 GPM – 3,000 PSI

## Compact Direct Drive Pump Gets the Job Done

The 4DNX series of pumps is the perfect choice for gas engine driven pressure washers. This high-quality compact pump is loaded with great features that make setup and use easy. The built-in unloader valve bypasses flow when not required downstream, reducing heat, noise, and wear. The fixed chemical injector provides a very convenient method to get the right amount of soap or solution on the surface for consistent cleaning performance.

Built to Cat Pumps industry-leading quality standards, the 4DNX provides hours of trouble-free service that pays off over the life of the pump. With longer-life and dependable service, pressure washers can be ready for any job at any time, boosting customer satisfaction and job completion rates. When it needs to run, make it Cat Pumps.

### Features

- Concentric, high-density, polished, solid ceramic plungers provide a true wear surface that greatly extends seal life
- Integral unloader valve with built-in by-pass is standard, providing a safety measure while controlling pressure
- Fixed chemical injector mounts directly to unloader valve to provide cleaning flexibility
- Stacked valve design makes servicing fast and easy for back-o-the-job turnaround

### Typical Applications

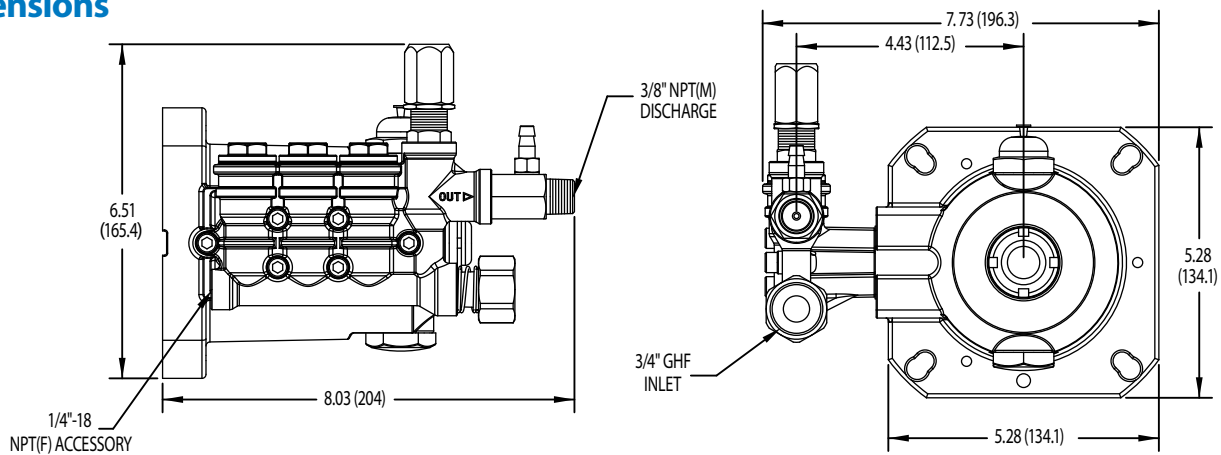
- Primarily pressure washers as the premium high-quality product or brand
- Also used in a variety of other surface cleaning and washdown applications
- By removing the pump's adapter mounting plate, the 4DNX can be fitted to 3/4" shaft electric motors

## Specifications

	US Measure	Metric Measure
<b>Flow</b>		
4DNX25GSI	2.5 gpm	9.5 lpm
4DNX27GSI	2.7 gpm	10.2 lpm
<b>Common:</b>		
Pressure Range	100 to 3,000 psi	6.9 to 207 bar
RPM	3450 rpm	3450 rpm
Shaft Diameter (Hollow)	3/4"	19.0 mm
Inlet Pressure Range	Flooded to 60 psi	Flooded to 4 bar
Max. Liquid Temperature	140° F	60° C
Inlet Port	3/8" GHF	3/8" GHF
Accessory Inlet Port	1/4" NPT(F)	1/4" NPT(F)
Discharge Ports w/ Chemical Injector	3/8" NPT(M)	3/8" NPT(M)
Weight	10.7 lbs	4.9 kg
Dimensions	8.03 x 7.73 x 6.51"	204 x 196 x 165 mm

Note: Remove gas adapter plate when mounting pump to 3/4" shaft electric motor.

## Dimensions



## Popular Accessories



### Pop-Off Valve

PN 33961  
1 – 6 gpm  
1,000 – 4,000 psi



### Pressure Gauge

PN 6089  
0 – 6,000 psi



### Inlet Strainer

PN 7204.4  
1/2" NPT(F)  
10 gpm



### Pump Protector

PN 6208  
Case of 6, 12 oz. bottles



### Oil

PN 6107  
21 oz. Bottle  
Specially formulated for  
extended protection

Contact Cat Pumps for pricing or more information at [info@catpumps.com](mailto:info@catpumps.com) or 763-780-5440



### CAT PUMPS

1681 - 94TH LANE N.E. MINNEAPOLIS, MN 55449-4324  
PHONE (763) 780-5440 — FAX (763) 780-2958  
e-mail: [info@catpumps.com](mailto:info@catpumps.com)  
[www.catpumps.com](http://www.catpumps.com)