

# MODEL 5SP SERIES DIRECT DRIVE PUMPS



**5SP30ELR**  
3 GPM – 3,000 PSI

**5SP35ELR**  
3.5 GPM – 2,500 PSI

**5SP40ELR**  
4 GPM – 2,000 PSI



## Compact Direct Drive Pumps

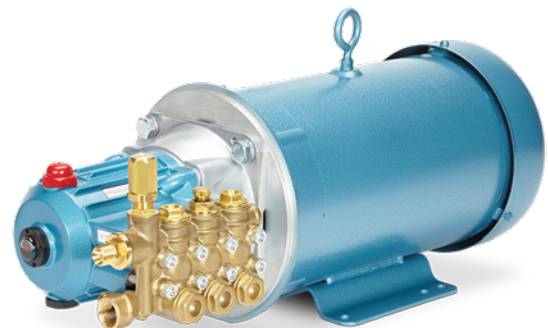
When it comes to getting the job done, customers rely on durable long-lasting products from Cat Pumps and the 5SP is no exception. Designed for continuous duty applications, the 5SP series pumps are built to keep equipment operating with long, dependable service.

### Available configurations

5SP	—	E	L	—	—	—
Base Model	30 = 3 gpm	182/184TC Mount	1750 rpm Maximum	R = Regulator	I = Injector	F = Garden Hose Inlet Fitting
	35 = 3.5 gpm			U = Unloader		
	40 = 4 gpm					

### Features:

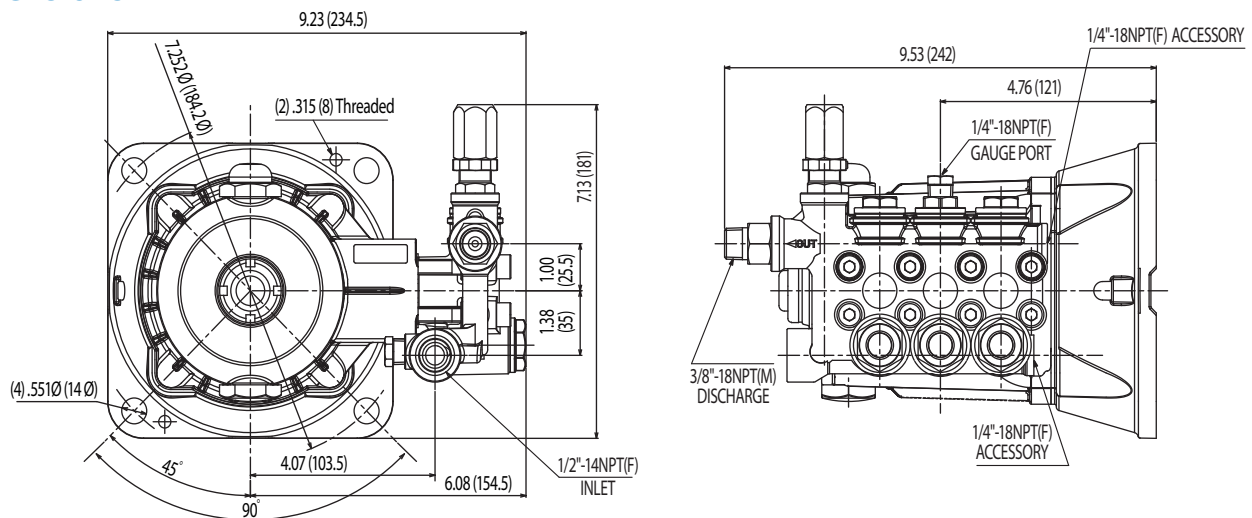
- Ease of assembly reduces time and labor costs.
- Compact direct mounting reduces space requirement.
- Integral pressure control valve with built in by-pass.
- Multiple ports for a variety of accessories.
- Available as pump only or as pump and motor assembly.



## Specifications

	5SP30ELR	5SP35ELR	5SP40ELR
<b>Flow</b>	3 gpm	3.5 gpm	4 gpm
<b>Pressure</b>	3000 psi	2500 psi	2000 psi
<b>RPM</b>	1750 rpm	1750 rpm	1750 rpm
<b>Inlet Pressure Range</b>	Flooded – 60 psi	Flooded – 60 psi	Flooded – 60 psi
<b>Max Liquid Temperature</b>	140°F	140°F	140°F
<b>Inlet Port</b>	1/2" NPT(F)	1/2" NPT(F)	1/2" NPT(F)
<b>Discharge Port</b>	3/8" NPT(M)	3/8" NPT(M)	3/8" NPT(M)
<b>Accessory Ports (Discharge - 2, Inlet - 1)</b>	1/4" NPT(F)	1/4" NPT(F)	1/4" NPT(F)
<b>Weight</b>	15.5 lbs	15.5 lbs	15.5 lbs
<b>Dimensions</b>	9.23 x 9.53 x 7.13"	9.23 x 9.53 x 7.13"	9.23 x 9.53 x 7.13"

## Dimensions



## Popular Accessories



### Pop-Off Valve

PN 33962  
Up to 6 GPM  
Up to 4,000 PSI



### Thermal Valve

PN 7143  
1/4" NPT(M)  
165° F



### Pressure Gauge

PN 6089  
0 – 6,000 PSI



### Inlet Strainer

PN 7104.4  
1/2" NPT(F)  
10 GPM Max



### Oil

PN 6107  
21 oz. Bottle  
Specially Formulated for  
Extended Protection

Contact Cat Pumps for pricing or more information at [info@catpumps.com](mailto:info@catpumps.com) or 763-780-5440



### CAT PUMPS

1681 - 94TH LANE N.E. MINNEAPOLIS, MN 55449-4324  
PHONE (763) 780-5440 — FAX (763) 780-2958  
e-mail: [info@catpumps.com](mailto:info@catpumps.com)  
[www.catpumps.com](http://www.catpumps.com)