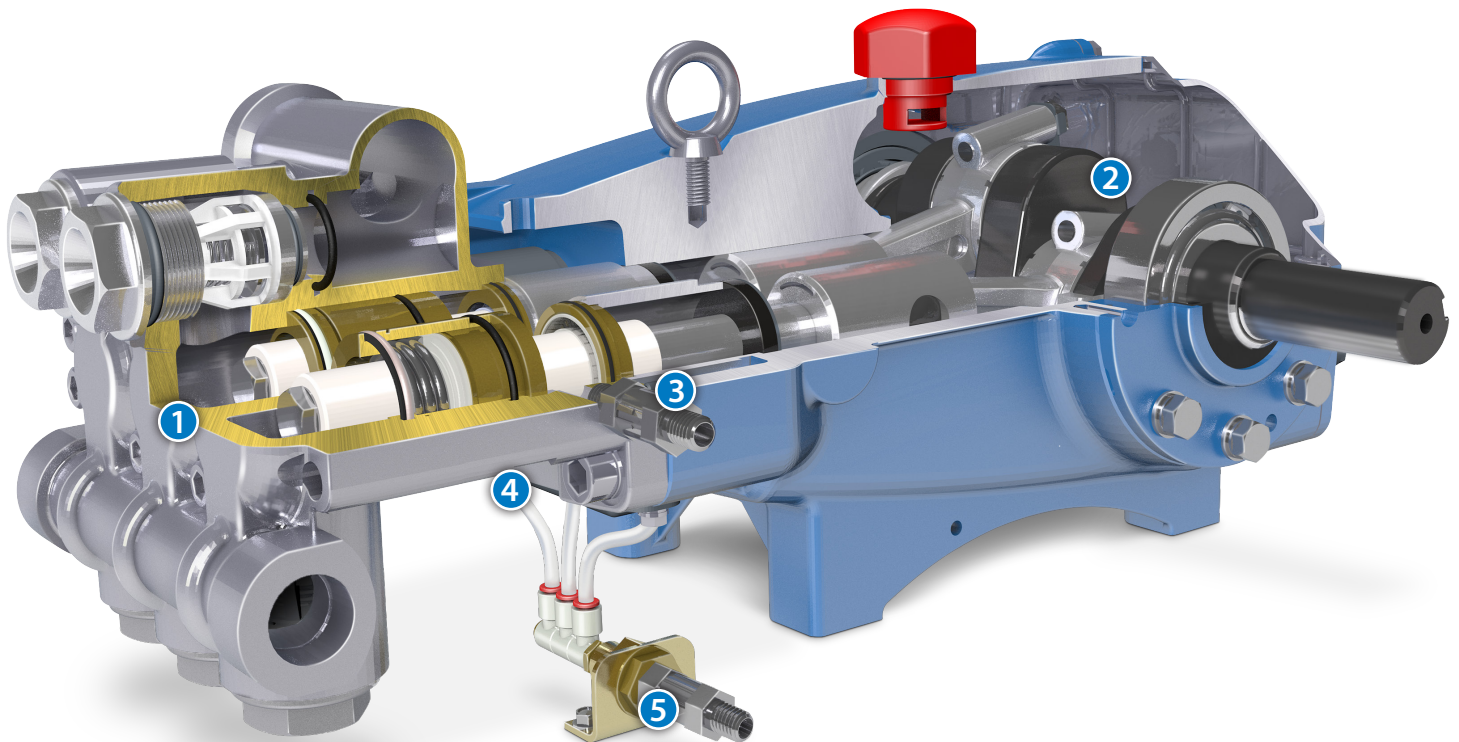


LIQUID CO₂ PLUNGER PUMPS



For over 25 years, Cat Pumps has provided dependable liquid carbon dioxide (CO₂) pumping solutions, working closely with research facilities, universities, and equipment manufacturers to develop reliable solutions in challenging CO₂ applications.

In addition to providing the most reliable high-pressure pumps available in the marketplace, Cat Pumps has dedicated and knowledgeable technical support and engineering teams to help select the right pump for your liquid CO₂ pumping application. Cat Pumps technical support teams can even assist with troubleshooting should the system require attention.



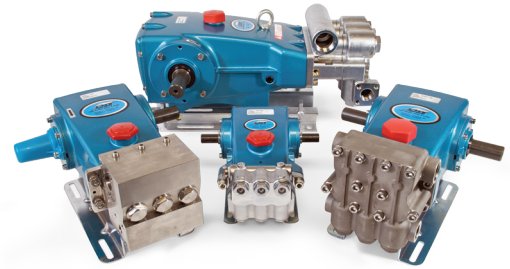
0.34–50 GPM | 400–7,000 PSI

CO₂ Pump Features:

- 1** Inverted manifolds provide improved passage for trapped vapor bubbles to escape through the inlet and return to the tank, avoiding potential issues caused by bubbles in the discharge line. Specially-formulated seals allow for improved operation with the low temperature and low lubricity properties of CO₂.
- 2** Drive-ends contain upgraded materials and component design to accommodate the high inlet pressures required to maintain CO₂ in a liquid state.
- 3** Ported inlet manifolds offer protection from damage caused by CO₂ leaking past the high-pressure seals. Included check valve prevents ambient air from entering the pump manifold.
- 4** Vented seal retainers offer protection against any CO₂ that escapes past the pressure seals, preventing damage to the drive-ends or pump manifolds.*
- 5** Check valves allow the escape of vapor while preventing air and humidity from entering.*

* Vented seal retainers only required on 8 frame and larger pumps.

Industrial Duty Pumps for Liquid CO₂ Applications



Cat Pumps liquid CO₂ series of pumps feature modifications to accommodate the unique properties of liquid CO₂. Specialty seals handle low lubricity and low temperature that liquid CO₂ applications require. Pump manifolds are modified to allow higher inlet and discharge pressures up to 7,000 psi (483 bar). Drive-end and manifold material combinations are available to cover a wide flow range from 0.34 to 50 gpm (189 to 27,800 lbs/hr).

Cat Pumps offers complete technical and engineering support to properly select pumps for the specific application. Pumps are available in brass and 316 stainless steel. Cat Pumps has provided liquid CO₂ pumping solutions for over 25 years, working closely with research facilities, universities, equipment manufacturers and site locations to design and deliver the best solutions.

Please contact Cat Pumps Technical Sales Team for assistance designing a Liquid CO₂ pump to meet your application needs.

MODEL	MANIFOLD MATERIAL	FLOW*				PRESSURE*	
		(GPM)	(LPM)	(KG/HR)	(LBS/HR)	(PSI)	(BAR)
784KM.CO2	316 SS	0.34	1.3	81	189	5000	345
30.CO2	Brass	0.68	2.6	162	378	2200	152
301.CO2	316 SS	0.68	2.6	162	378	2150	148
781KM.CO2	316 SS	0.82	3.1	196	456	5000	345
351.CO2	316 SS	1.22	4.6	295	649	1500	103
5CP2921	316 SS	1.7	6.5	406	945	2500	172
310.CO2	Brass	1.75	6.7	418	973	2200	152
1560M.CO2	Brass	2.5	9.5	624	1372	4000	276
3507CM.CO2	NAB	3.5	14.4	890	1958	5000	345
3801KM.CO2	316 SS	3.5	14.4	836	1946	5000	345
1051CM.CO2	316 SS	4.0	15.2	955	2224	2200	152
1050M.CO2	Brass	4.0	15.2	955	2224	2200	152
1530RSCM.CO2	Brass	5.0	19.0	1194	2780	1800	124
6801KM.CO2	316 SS	6.5	24.7	1676	3687	7000	483
1540ECM.CO2	Brass	7.0	26.6	1670	3674	1200	83
6811KM.CO2	316 SS	7.2	27.4	1719	4003	5000	345
2831KM.CO2	316 SS	10.0	38.0	2388	5560	1200	83
3520CM.CO2	Brass	11.4	43.3	2722	6338	2000	138
6821KM.CO2	316 SS	16.0	60.8	3821	8896	3000	207
3535CM.CO2	Brass	19.4	73.7	4633	10786	1200	83
3831KM.CO2	316 SS	19.4	73.7	4633	10786	1200	83
6841KM.CO2	316 SS	30.0	114	7164	16680	2000	138
6861KM.CO2	316 SS	50.0	228	11940	27800	1200	83

* Flow rate varies based on inlet pressure, temperature and discharge pressure. Custom flows and pressures available upon request.

Contact Cat Pumps for more information at info@catpumps.com or (763) 780-5440



CAT PUMPS

1681 – 94TH LANE N.E. MINNEAPOLIS, MN 55449-4324
PHONE (763) 780-5440 — FAX (763) 780-2958
info@catpumps.com | www.catpumps.com