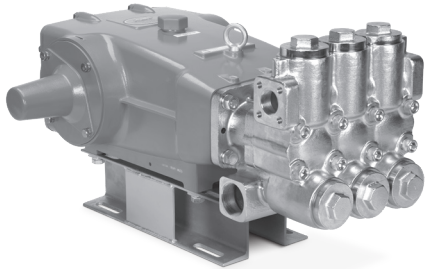


DATA SHEET

60 FRAME PLUNGER PUMP



Brass Model: 6775



(Box rails and shaft protector included)

FEATURES

- Triplex plunger design ensures high efficiency and low pulsation.
- V-packings and low-pressure seals are completely lubricated and cooled, greatly increasing service life.
- Special high-density, polished, concentric plungers provide a true wear surface and extended seal life.
- Guided valve design extends valve life.
- Pump comes standard with NBR seals. Alternative seal materials are available for higher temperature or chemical compatibility.

SPECIFICATIONS	U.S. Measure	Metric Measure
Flow	75 gpm	284 lpm
Pressure Range	100–1200 psi	6.9–83 bar
Pump RPM*	650 rpm	650 rpm
Inlet Pressure Range	Flooded to 50 psi	Flooded to 3.4 bar
Max. Liquid Temp. (NBR)	140° F	60° C

Alternative seals available for higher temperatures up to 140° F

Bore	2.165"	55 mm
Stroke	2.579"	65.5 mm
Crankcase Capacity	10 qts	9.46 l
Inlet Ports (2)	2" NPT(F)	2" NPT(F)
Discharge Ports (2)	1¼" NPT(F)	1¼" NPT(F)
Shaft Diameter	1.772"	45 mm
Weight	335 lbs	152 kg
Dimensions	31.14 x 24.37 x 12.87"	791 x 619 x 327 mm

* Pump minimum is 100 RPM.

ALTERNATIVE SEAL CONFIGURATION

MATERIAL	SUFFIX CODE	MAXIMUM TEMPERATURE	
NBR	—	140° F	(60° C)
FPM	.0110	140° F	(60° C)
EPDM	.0220	140° F	(60° C)

See **Tech Bulletin 002** for inlet conditions and RPM at high-temperature.

DETERMINING THE PUMP RPM	Rated gpm	=	Desired gpm
	Rated rpm		Desired rpm
DETERMINING THE REQUIRED HP	hp (Electric Brake)	=	$\frac{\text{gpm} \times \text{psi}}{1460}$
DETERMINING MOTOR PULLEY SIZE	Motor Pulley OD	=	$\frac{\text{Pump Pulley OD}}{\text{Motor rpm}}$
	Pump rpm		

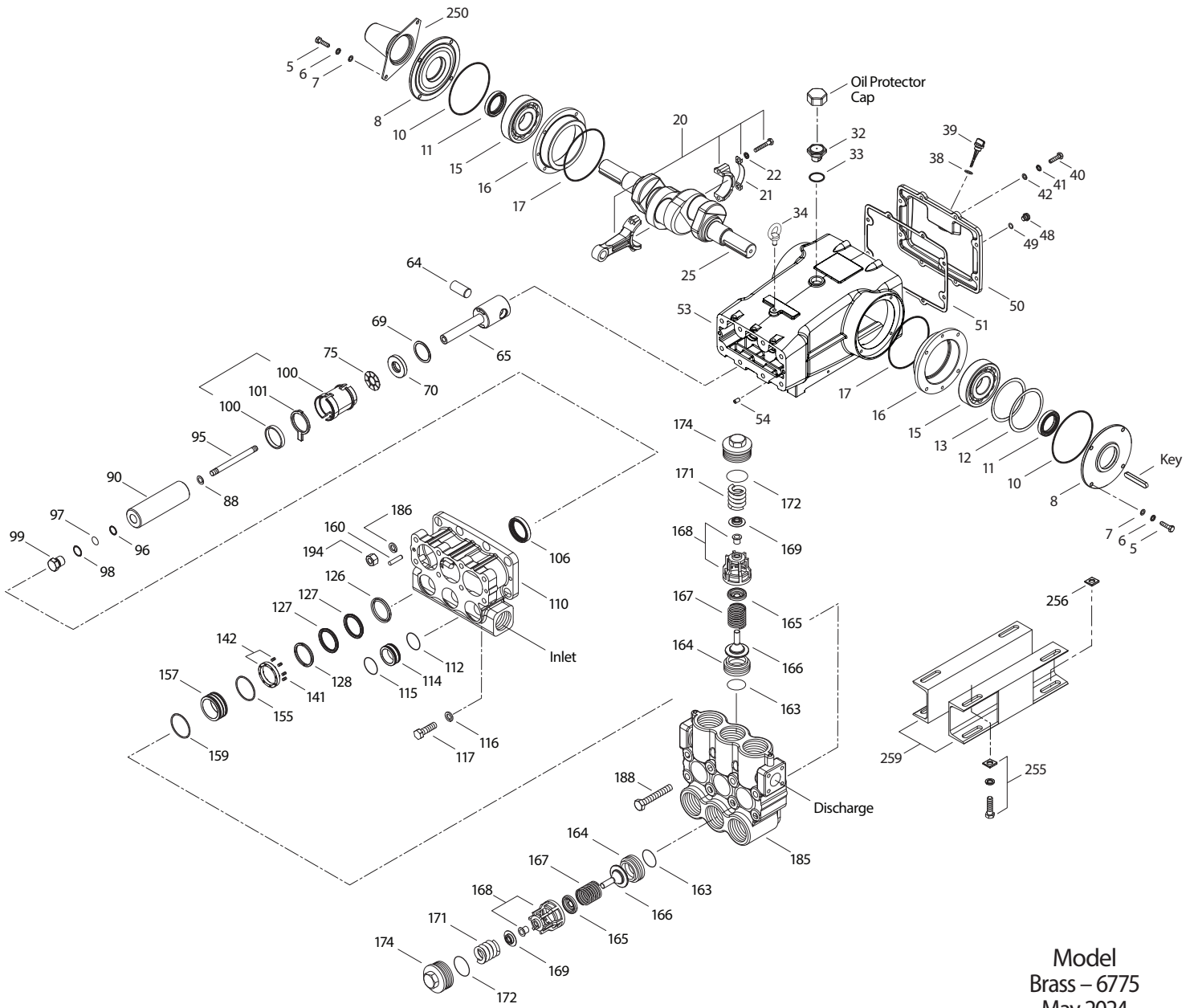
Refer to pump **Service Manual** for repair procedure and additional technical information.

PARTS LIST

ITEM	PART NUMBER	DESCRIPTION	QTY
5	126532	STCP R Screw, HH (M10 x 40) (See Tech Bulletin 074)	8
6	126231	STCP R Lockwasher (M10)	8
7	126574	STZP R Washer, Flat (M10)	8
8	29443	ALE Cover, Bearing, Outer	2
10	29444	NBR O-Ring Outer, Bearing Cover-70D	2
11	11443	NBR Seal, Oil, Crankshaft	2
12	126594	STCP R Washer, Shim (M120 x 0.3)	0-2
13	126595	STCP R Washer, Shim (M120 x 0.5)	0-2
15	29441	STL Bearing, Roller	2
16	29442	STL Cover, Bearing, Inner	2
17	29444	NBR O-Ring Inner, Bearing Cover-70D	2
20	126612	BBHS Rod, Connecting (Includes: 21, 22) (See Tech Bulletin 074)	3
21	126560	STCP R Washer, Locking	3
22	126593	STCP R Washer, Shim (M10.5 x 1.5)	6
25	29440	FCM Crankshaft, Dual-End (65.5 mm)	1
32	43211	ABS Cap, Oil Filler	1
33	14177	NBR O-Ring, Oil Filler Cap-70D	1
34	126743	STCP R Bolt, Eye (M12) (For Lifting Pump Only)	1
38	129343	RBR Gasket, Flat	1
39	27769	ABS Stick, Dip	1
40	126531	STCP R Screw, HH (M10 x 30) (See Tech Bulletin 074)	8
41	126231	STCP R Lockwasher (M10)	8
42	126574	STZP R Washer, Flat (M10)	8
48	25625	STCP Plug, Drain (1/4" x 19 BSP)	1
49	23170	NBR O-Ring, Drain Plug-70D	1
50	29438	ALE Cover, Rear	1
51	129386	NBR Gasket, Rear Cover	1
53	133667	ALE Crankcase with Guide Pins (Includes: 54)	1
54	43282	S Pin, Guide	2
55	126553	STCP R Stud (M16 x 70)	2
64	29481	CM Pin, Crosshead	3
65	† 45384	SSZZ Rod, Plunger	3
69	126588	STCP R Washer, Oil Seal	3
70	29454	NBR Seal, Oil	3
75	44752	NBR Slinger, Barrier-85D	3
88	45677	SS Washers, Keyhole (M14)	3
90	44749	CC Plunger (M55 x 185)	3
95	89783	S Stud, Plunger Retainer (M14 x 147)	3
96	20214	PTFE Backup Ring, Plunger Retainer	3
97	17616	NBR O-Ring, Plunger Retainer-80D	3
98	44751	SS Gasket, Plunger Retainer	3
99	45276	S Retainer, Plunger (M14) (See Tech Bulletin 074)	3
100	855000	PVDF Retainer, Seal, 2-Piece	3
101	44762	— Wick, Long Tab (M55 x 185)	3
106	44757	NBR Seal, Low-Pressure with SS-Spring	3
110	*49457	NABC Manifold, Inlet	1
112	18175	NBR O-Ring, Spacer, Inner-80D	3
114	44767	SS Spacer, Inlet Manifold	3
115	18175	NBR O-Ring, Spacer, Outer-80D	3
116	126569	STCP R Lockwasher (M16)	4
117	126537	STCP R Screw, HH (M16 x 55) (See Tech Bulletin 074)	4
126	48392	D Adapter, Female	3
127	44764	STG V-Packing	6
128	45772	SS Adapter, Male	3
141	44943	SS Coil Spring, Spacer	24
142	48501	BB Spacer with Coil Springs	3
155	18178	NBR O-Ring, Spacer-80D	3
157	45321	SS Spacer, V-Packing	3
159	18178	NBR O-Ring, Spacer-80D	3
160	44756	S Pin, Guide	2
163	18176	NBR O-Ring, Seat-80D	6
164	† 44772	SS Seat	6
165	76304	SS Guide, Spring	6
166	76319	SS Valve, Guided	6
167	76309	SS Spring	6
168	76349	PVDF Retainer, Spring	6
169	76306	SS Retainer, Bushing	6
171	44780	SS Spring, Coil, Valve Plug	6
172	18177	NBR O-Ring, Valve Plug-80D	6
174	49461	NABC Plug, Valve	1
185	49459	NABC Manifold, Discharge	1
186	126569	STCR R Lockwasher (M16)	2
188	126744	STCP R Screw, HSH (M16 x 110) (See Tech Bulletin 074)	8
194	126525	STCP R Nut, Hex (M16)	2
250	29445	ALE Protector, Shaft	1
255	33243	STZP Mount, Direct	1
256	29649	STCP Washer, Slant (M16) (To Shim and Align Mounting Bolts [Not Included] Through the Box Rail and Mounting Base)	4
259	126604	STCP R Rail, Box	2

* When ordering a new inlet manifold PN 49457, order two (2) PN 44756 guide pins (Item #160)

EXPLODED VIEW



Model
Brass – 6775
May 2024

OPTIONAL PARTS AND ACCESSORIES

PART	DESCRIPTION	QTY
43048	Key (M14 x 9 x 90)	1
828710	Protector, Oil Cap with Foam Gasket	1
990014	Hub, "B", M45 with Keyway (Not Shown)	1
30429	Oiler (10 oz) (Not Shown)	3
34314	Kit, Oil Drain (3/8" x 48") (Not Shown)	1
88902	Stud, (M16 x 277) (For Removal of DM and IM) (Not Shown)	1
819010	Assembly, Crankcase, Cast Iron Conversion (Not Shown)	1

SERVICE PARTS

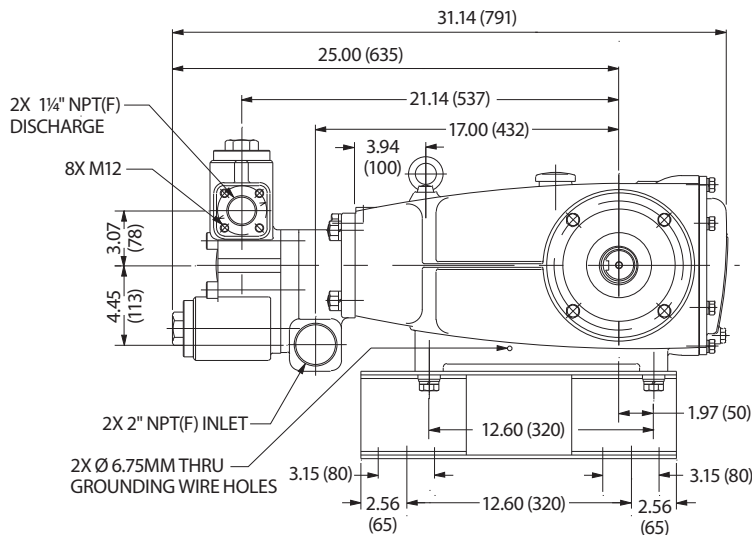
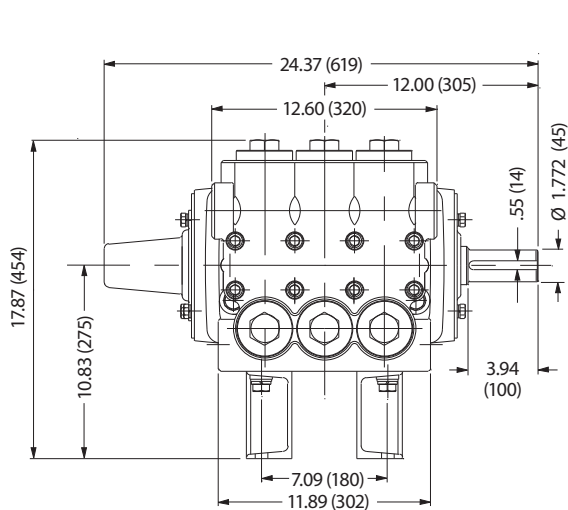
PART	DESCRIPTION	QTY
34091	Kit, Seal – Standard NBR	1
76140	Kit, Valve – Standard NBR	2
6102	Oil, Jug (2.5 gal) (Fill to Specified Crankcase Capacity Prior to Start-up)	1
6124	Gasket, Liquid (3 oz)	1
6139	Lubricant, Anti-seize (8 oz) (See Tech Bulletin 095)	1
31173	Crankcase Oil Seal Removal and Installation Kit (Not Shown) (Includes: Oil Seals, Guide Tool, Screws, Washer)	1
30696	Reverse Pliers (Not Shown)	1
996760	Head, Complete, Block-Style with NBR Seals and O-Rings	1

Italics are optional items. † Production parts are different than service parts.

R Components comply with RoHS Directive. For additional technical information see www.catpumps.com/literature/tech-bulletins.

MATERIAL CODES (Not Part of Part Number): ABS=ABS Plastic ALE=Aluminum Epoxy BB=Brass BBHS=Brass/High Strength CC=Ceramic CM=Chrome-Moly D=Acetal EPDM=Ethylene Propylene Diene Monomer FCM=Forged Chrome-moly FPM=Fluorocarbon NAB=Nickel Aluminum Bronze NABC=Nickel Aluminum Bronze Chrome Plated NBR=Medium Nitrile PE=Polyethylene (Buna-N) PTFE=Pure Polytetrafluoroethylene PVDF=Polyvinylidene RBR=Rubber Fluoride S=304SS SS=316SS SFTB=Special Blend PTFE Black SSZZ=316SS/Zamak STCP=Steel/Chrome Plated STG=Special Blend PTFE White STL=Steel STZP=Steel/Zinc Plated

Kits – NBR, FPM (.0110), EPDM (.0220) listed on page 4.



SEAL KITS

One (1) seal kit required per pump

PUMP MODEL	NBR (STD)	FPM (.0110)	EPDM (.0220) ♦
6775	34091*	34093*	76091*

ITEM (Included in Seal Kits)				DESCRIPTION	QTY
97	17616	11686	703369	O-Ring, Plunger Retainer	3
106	44757	45882	702228	Seal, Low-Pressure with SS-Spring	3
112	18175	13266	702442	O-Ring, Inner Spacer	3
115	18175	13266	702442	O-Ring, Outer Spacer	3
127	44764	44764	44764	V-Packing	6
155	18178	13338	701657	O-Ring, Spacer	3
159	18178	13338	701657	O-Ring, Spacer	3

* Review material codes for individual items (STG may be used as alternative)

♦ Silicone Oil/Grease required

VALVE KITS

Two (2) valve kits required per pump

PUMP MODEL	NBR (STD)	FPM (.0110)	EPDM (.0220) ♦
6775	76140	76145	76240

ITEM (Included in Valve Kits)				DESCRIPTION	QTY
163	18176	13278	702445	O-Ring, Seat	3
164	44772	44772	44772	Seat	3
165	76304	76304	76304	Guide, Spring	3
166	76319	76319	76319	Valve, Guided	3
167	76309	76309	76309	Spring, Valve	3
168	76349	76349	76349	Retainer, Spring	3
169	76306	76306	76306	Retainer, Bushing	3
172	18177	13279	701988	O-Ring, Valve Plug	3

♦ Silicone Oil/Grease required

⚠ CAUTIONS AND WARNINGS

All high-pressure systems require a primary pressure regulating device (e.g. regulator, unloader) and a secondary pressure relief device (e.g. pop-off valve, relief valve). Failure to install such relief devices could result in personal injury or damage to pump or property. Cat Pumps does not assume any liability or responsibility for the operation of a customer's high-pressure system. Read all CAUTIONS and WARNINGS before commencing service or operation of any high-pressure system. The CAUTIONS and WARNINGS are included in each Service Manual and with each Accessory Data sheet. CAUTIONS and WARNINGS can also be viewed online at www.catpumps.com/dynamic-literature/cautions-and-warnings or can be requested directly from Cat Pumps.

WARRANTY

View the Limited Warranty online at www.catpumps.com/literature/cat-pumps-limited-warranty