

DATA SHEET

VERTICAL MULTISTAGE PUMP



Stainless Steel **83K19S7T3F**
Model:



SPECIFICATIONS

Size

Suction	300# ANSI Raised Face 1.25"
Discharge	300# ANSI Raised Face 1.25"
HP	5 hp
RPM	3450 rpm

Liquid Handled

Type of Liquid	**Clean Water
Temperature Range	-22°–248° F (-30°–120° C)
Max. Working Pressure	375 psi (25 bar)

Materials

Impeller	AISI 304
Intermediate Casing	AISI 304
Bottom Casing	AISI 304
Casing Cover	AISI 304
Outer Casing	AISI 304
Shaft	AISI 304
Liner Ring	PTFE/AISI 304
Motor Bracket	Cast Iron
Base	Die Cast Aluminum
Pump Bearing	Tungsten Carbide
Mechanical Seal	Silicon Carbide/Carbon/FPM

Motor

Type	NEMA 184TC Frame
Speed	60 Hz, 3450 RPM (2 Poles)
Three Phase	*230/460V
Direction of Rotation	Clockwise When Viewed from Motor End
Test Standard	ISO 9906 Annex A

Weight

Pump	45.8 lbs
Motor	91.2 lbs

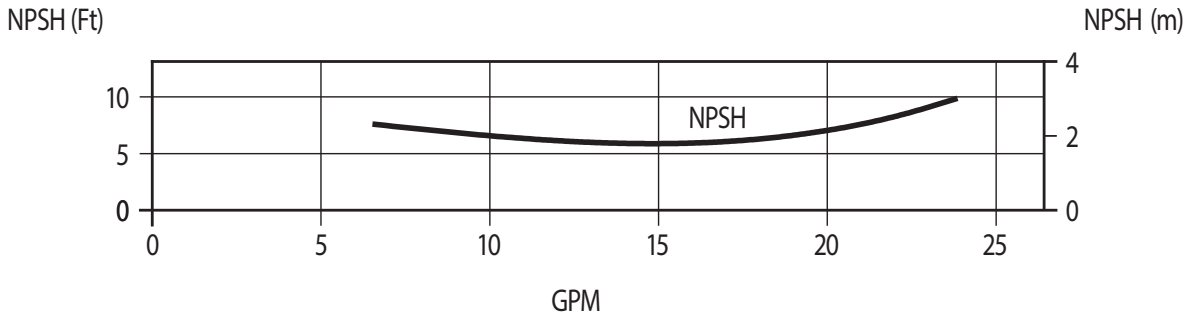
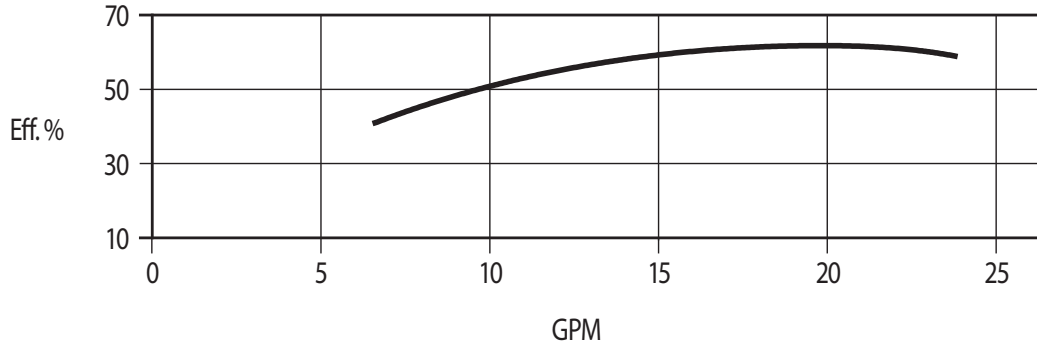
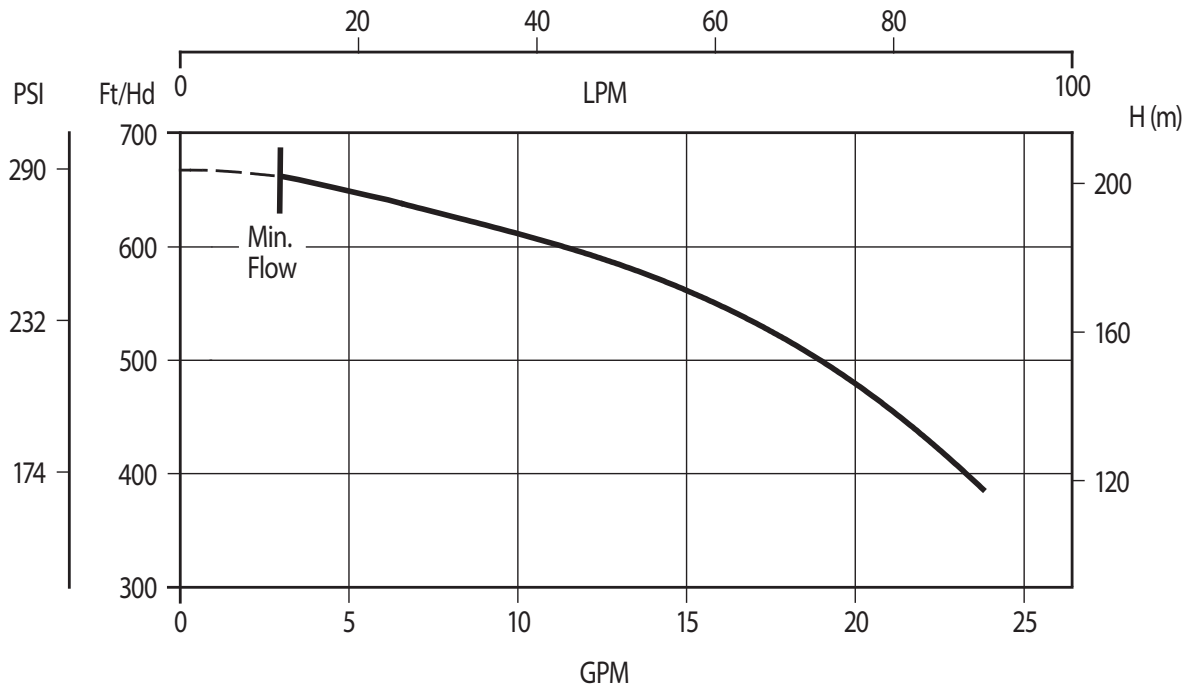
* Prior to Department of Energy (DOE) EERE-2020-BT-TP-0011 motor was name-plated rated 208–230 Volt.

** For other clean liquids, consult Cat Pumps.

Note: See PN 99SVM001 for complete operating instructions, installation and maintenance manual information.

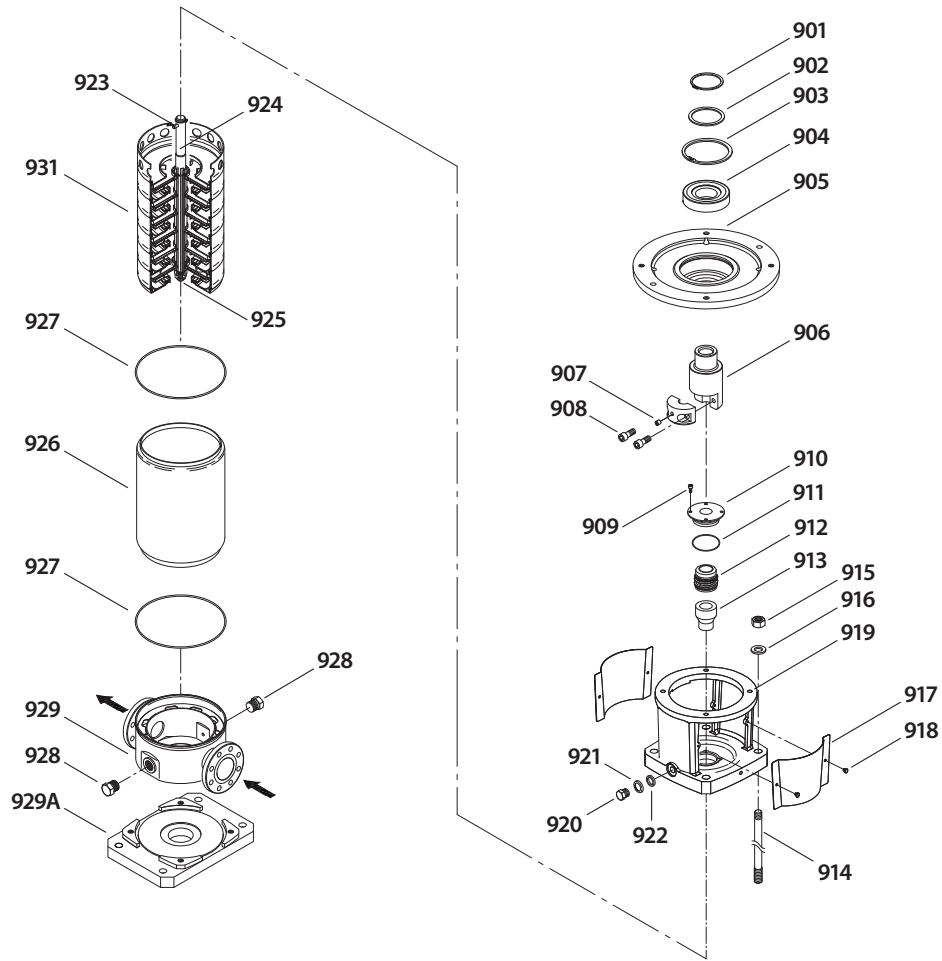
PERFORMANCE CURVE – 3450 RPM

23 gpm, 670 Ft/Hd



Water Temperature: 68° F (20° C)

EXPLODED VIEW



900 Motor Not Shown

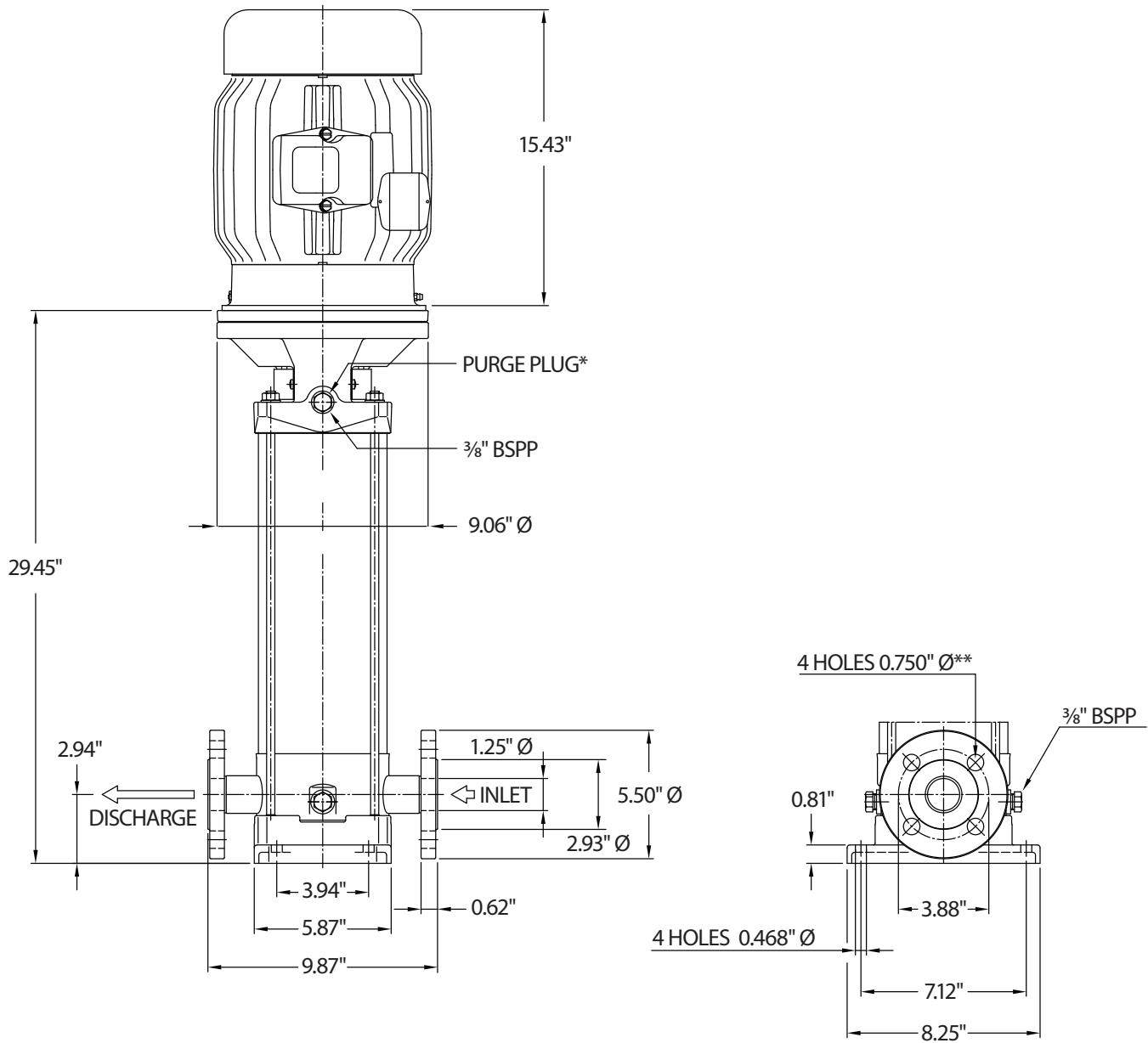
PARTS LIST

ITEM	P/N	MATL	DESCRIPTION	QTY	ITEM	P/N	MATL	DESCRIPTION	QTY
900	—		Motor, Electric (Not Shown)	1	920	—	S	Plug, Prime	1
901	—	STL	Ring, Snap, C-Type for Coupler	1	921	—	S	Washer, Prime Plug	1
902	—	STL	Spacer	1	922	—	FPM	O-Ring, Prime Plug	1
903	—	STL	Ring, Snap, C-Type for Bracket	1	923	—	STL	Pin, Shaft	1
904	—	STL	Bearing, Ball	1	924	—	SS	Shaft	1
905	—	F	Adapter, Motor	1	925	—	S	Nut, Impeller	1
906	—	BBNP	Coupling	1	926	—	S	Casting, Outer	1
907	—	STL	Screw, Set	1	927	—	FPM	O-Ring, Outer Casing	2
908	—	STZP	Screw, Coupler	2	928	—	S	Plug, Drain	2
909	—	STZP	Screw, Mechanical Seal Seat	4	929	—	S	Casing, Bottom and Base	1
910	—	S	Seat, Mechanical Seal	1	929A	—	AL	Base	1
911	—	FPM	O-Ring, Mechanical Seal Seat	1	930	—		<i>Kit, Seal (Includes: Mechanical Seal and Two (2) Outer Casing O-Rings)</i>	<i>1</i>
912	—	FSC	Seal, Mechanical	1	931	—		<i>Kit, Hydraulic</i>	<i>1</i>
913	—	S	Sleeve, Shaft	1				<i>Includes:</i>	
914	—	STZP	Rod, Tie	4				<i>Hydraulic Assembly</i>	
915	—	STZP	Nut, Tie Rod	4				<i>Upper and Lower Casing O-Rings</i>	
916	—	STZP	Washer, Tie Rod	4				<i>Pump Shaft Key</i>	
917	—	S	Guard, Coupling	2				<i>Pumps Coupling Snap Ring</i>	
918	—	S	Screw, Coupling Guard	2				<i>Mechanical Seal with O-Rings</i>	
919	—	F	Bracket, Motor	1					

Italics are optional items

Material Codes (Not part of part number):

AL=Aluminum BBNP=Brass/Nickel Plated F=Cast Iron FPM=Fluorocarbon FSC=FPM with Silicon Carbide S=304 Stainless Steel SS=316 Stainless Steel STL=Steel STZP=Steel/Zinc Plated



* All air must be purged out before operation to prevent seal damage.

** Flange tightening torque = 52 ft-lbs

⚠ CAUTIONS AND WARNINGS

All high-pressure systems require a primary pressure regulating device (e.g. regulator, unloader) and a secondary pressure relief device (e.g. pop-off valve, relief valve). Failure to install such relief devices could result in personal injury or damage to pump or property. Cat Pumps does not assume any liability or responsibility for the operation of a customer's high-pressure system. Read all CAUTIONS and WARNINGS before commencing service or operation of any high-pressure system. The CAUTIONS and WARNINGS are included in each Service Manual and with each Accessory Data sheet. CAUTIONS and WARNINGS can also be viewed online at www.catpumps.com/dynamic-literature/cautions-and-warnings or can be requested directly from Cat Pumps.

WARRANTY

View the Limited Warranty online at www.catpumps.com/literature/cat-pumps-limited-warranty