

DATA SHEET

VERTICAL MULTISTAGE PUMP



**Stainless Steel
Model:**

83K21S7T3F



SPECIFICATIONS

Size

Suction	250# ANSI Raised Face 1.25"
Discharge	250# ANSI Raised Face 1.25"
HP	5 hp
RPM	3450 rpm

Liquid Handled

Type of Liquid	**Clean Water
Temperature Range	-22°–248° F (-30°–120° C)
Max. Working Pressure	375 psi (25 bar)

Materials

Impeller	AISI 304
Intermediate Casing	AISI 304
Bottom Casing	AISI 304
Casing Cover	AISI 304
Outer Casing	AISI 304
Shaft	AISI 304
Liner Ring	PTFE/AISI 304
Motor Bracket	Cast Iron
Base	Die cast Aluminum
Pump Bearing	Tungsten Carbide
Mechanical Seal	Silicon Carbide/Carbon/FPM

Motor

Type	NEMA 184TC Frame
Speed	60 Hz, 3450 RPM (2 Poles)
Three Phase	*230/460V
Direction of Rotation	Clockwise When Viewed from Motor End
Test Standard	ISO 9906 Annex A

Weight

Pump	49.8 lbs
Motor	69.0 lbs

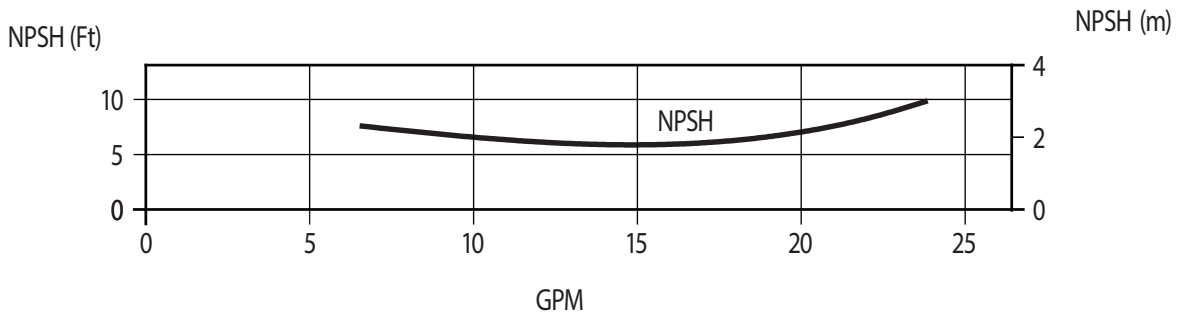
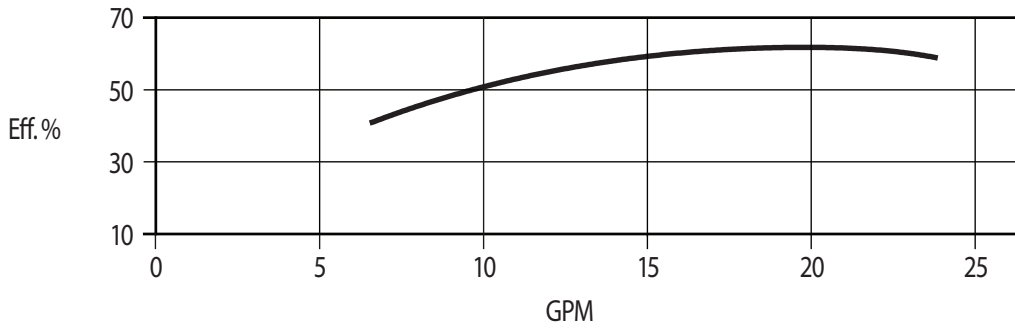
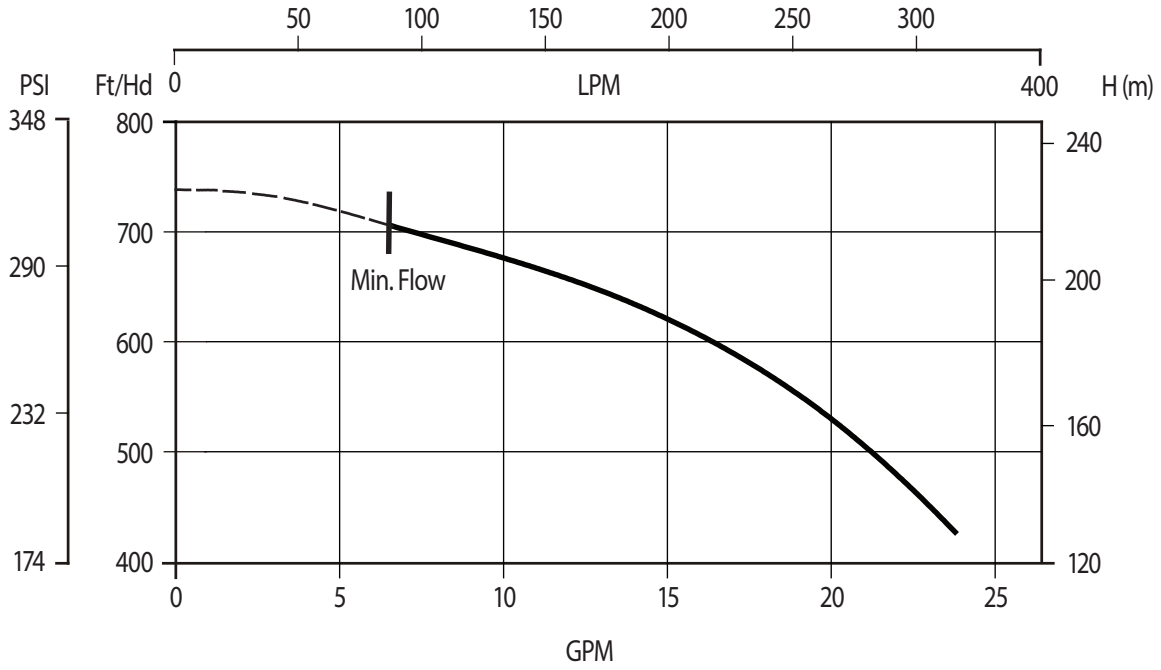
* Prior to Department of Energy (DOE) EERE-2020-BT-TP-0011 motor was name-plated rated 208–230 Volt.

** For other clean liquids, consult Cat Pumps.

Note: See PN 99SVM001 for complete operating instructions, installation and maintenance manual information.

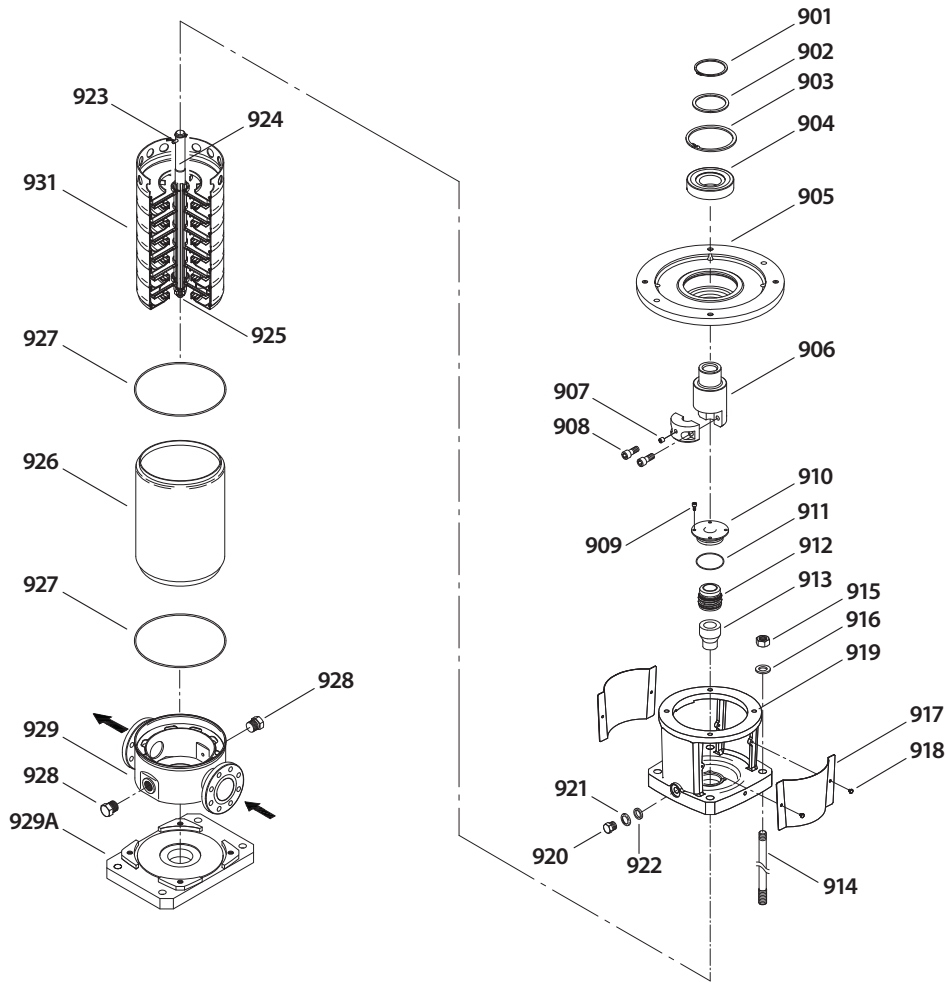
PERFORMANCE CURVE – 3450 RPM

24 gpm, 700 Ft/Hd



Water Temperature: 68° F (20° C)

EXPLODED VIEW



900 Motor Not Shown

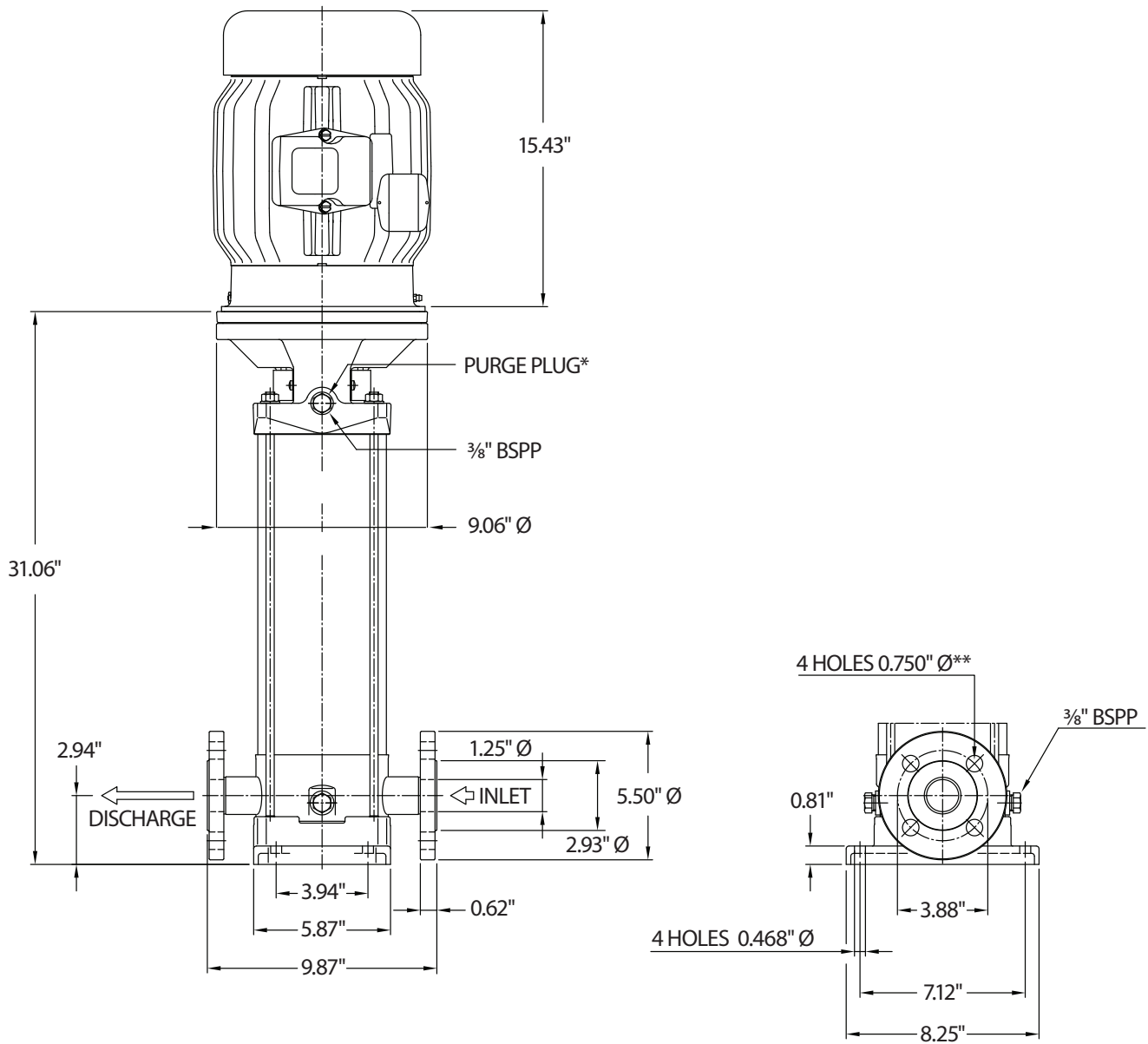
PARTS LIST

ITEM	P/N	MATL DESCRIPTION	QTY	ITEM	P/N	MATL DESCRIPTION	QTY
900	—	Motor, Electric (Not Shown)	1	920	—	S Plug, Prime	1
901	—	STL Ring, Snap, C-Type for Coupler	1	921	—	S Washer, Prime Plug	1
902	—	STL Spacer	1	922	—	FPM O-Ring, Prime Plug	1
903	—	STL Ring, Snap, C-Type for Bracket	1	923	—	STL Pin, Shaft	1
904	—	STL Bearing, Ball	1	924	—	SS Shaft	1
905	—	F Adapter, Motor	1	925	—	S Nut, Impeller	1
906	—	BBNP Coupling	1	926	—	S Casting, Outer	1
907	—	STL Screw, Set	1	927	—	FPM O-Ring, Outer Casing	2
908	—	STZP Screw, Coupler	2	928	—	S Plug, Drain	2
909	—	STZP Screw, Mechanical Seal Seat	4	929	—	S Casing, Bottom and Base	1
910	—	S Seat, Mechanical Seal	1	929A	—	AL Base	1
911	—	FPM O-Ring, Mechanical Seal Seat	1	930	—	<i>Kit, Seal (Includes: Mechanical Seal and Two (2) Outer Casing O-Rings)</i>	1
912	—	FSC Seal, Mechanical	1	931	—	<i>Kit, Hydraulic (Includes: Hydraulic Assembly Upper and Lower Casing O-Rings Pump Shaft Key Pumps Coupling Snap Ring Mechanical Seal with O-Rings)</i>	1
913	—	S Sleeve, Shaft	1				
914	—	STZP Rod, Tie	4				
915	—	STZP Nut, Tie Rod	4				
916	—	STZP Washer, Tie Rod	4				
917	—	S Guard, Coupling	2				
918	—	S Screw, Coupling Guard	2				
919	—	F Bracket, Motor	1				

Italics are optional items

Material Codes (Not part of part number):

AL= Aluminum BBNP= Brass/Nickel Plated F= Cast Iron FPM= Fluorocarbon FSC= FPM with Silicon Carbide S= 304 Stainless Steel SS= 316 Stainless Steel STL= Steel STZP= Steel/Zinc Plated



*** All air must be purged out before operation to prevent seal damage.**

**** Flange tightening torque = 52 ft-lbs**

⚠ CAUTIONS AND WARNINGS

All high-pressure systems require a primary pressure regulating device (e.g. regulator, unloader) and a secondary pressure relief device (e.g. pop-off valve, relief valve). Failure to install such relief devices could result in personal injury or damage to pump or property. Cat Pumps does not assume any liability or responsibility for the operation of a customer's high-pressure system.

Read all CAUTIONS and WARNINGS before commencing service or operation of any high-pressure system. The CAUTIONS and WARNINGS are included in each Service Manual and with each Accessory Data sheet. CAUTIONS and WARNINGS can also be viewed online at www.catpumps.com/dynamic-literature/cautions-and-warnings or can be requested directly from Cat Pumps.

WARRANTY

View the Limited Warranty online at www.catpumps.com/literature/cat-pumps-limited-warranty