

# DATA SHEET

## VERTICAL MULTISTAGE PUMP



**Stainless Steel**      **83K9E5T3F**  
**Model:**



### SPECIFICATIONS

#### Size

Suction	300# ANSI Raised Face 1.25"
Discharge	300# ANSI Raised Face 1.25"
HP	2 hp
RPM	3450 rpm

#### Liquid Handled

Type of Liquid	**Clean Water
Temperature Range	-22°–248° F (-30°–120° C)
Max. Working Pressure	230 psi (16 bar)

#### Materials

Impeller	AISI 304
Intermediate Casing	AISI 304
Bottom Casing	AISI 304
Casing Cover	AISI 304
Outer Casing	AISI 304
Shaft	AISI 304
Liner Ring	PTFE/AISI 304
Motor Bracket	Cast Iron
Base	Die Cast Aluminum
Pump Bearing	Tungsten Carbide
Mechanical Seal	Silicon Carbide/Carbon/EPDM

#### Motor

Type	NEMA 56C Frame
Speed	60 Hz, 3450 RPM (2 Poles)
Three Phase	*230/460V
Direction of Rotation	Clockwise When Viewed from Motor End

#### Weight

Pump	31.1 lbs
Motor	38.8 lbs

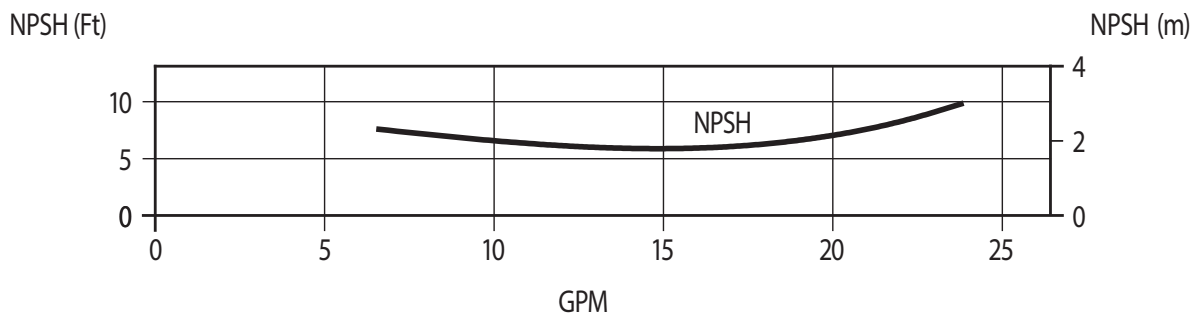
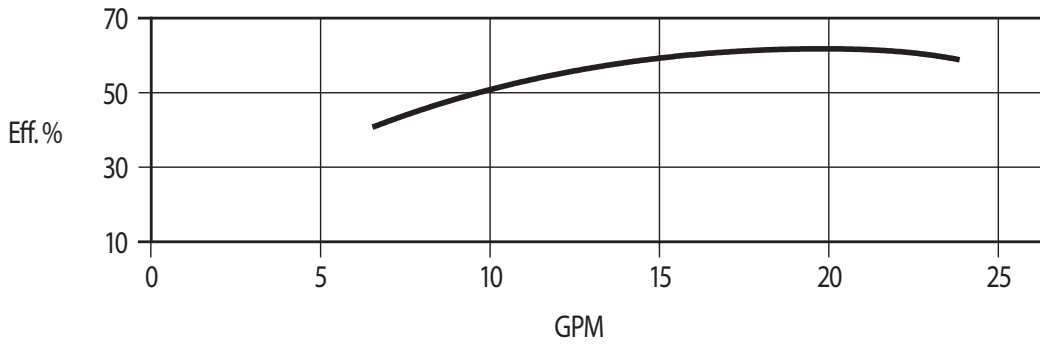
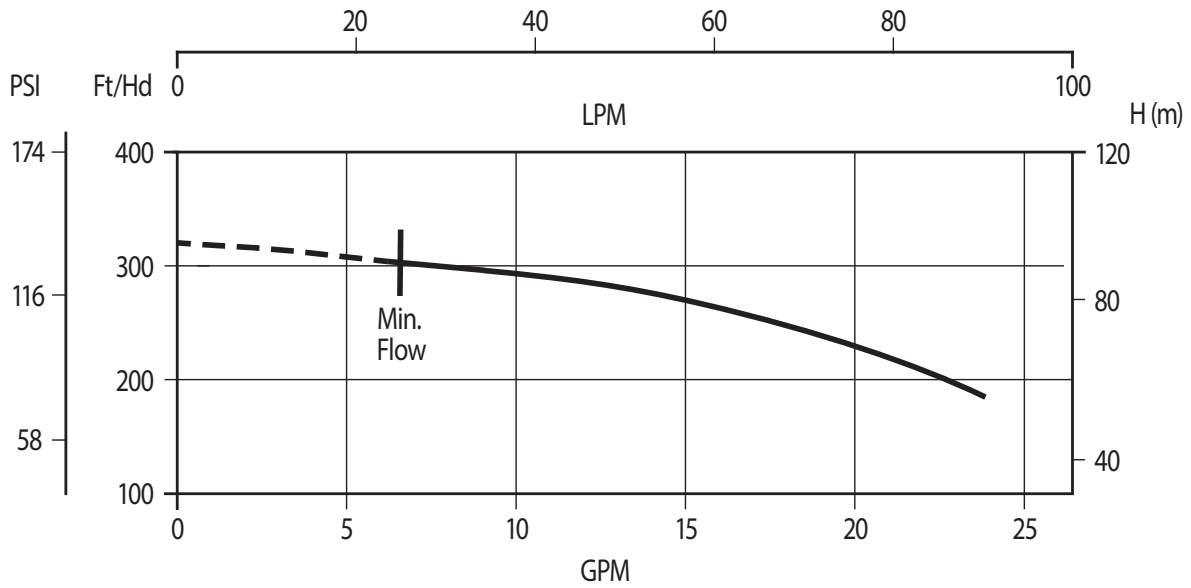
\* Prior to Department of Energy (DOE) EERE-2020-BT-TP-0011 motor was name-plated rated 208–230 Volt.

\*\* For other clean liquids, consult Cat Pumps.

**Note: See PN 99SVM001 for complete operating instructions, installation and maintenance manual information.**

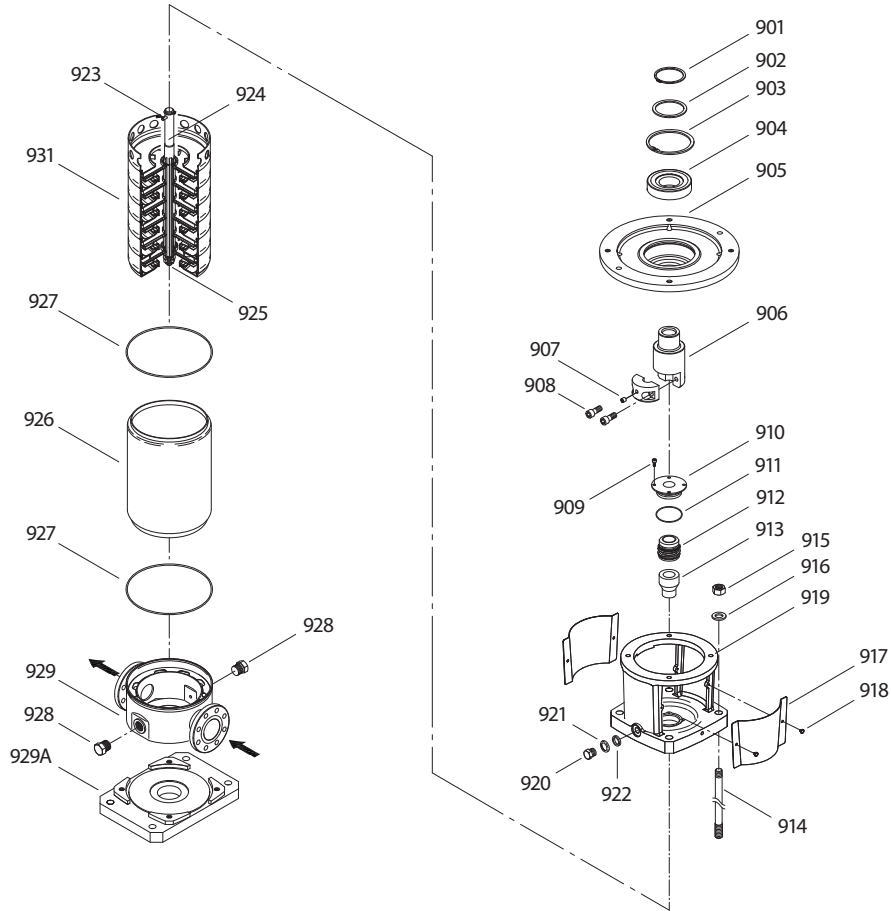
# PERFORMANCE CURVE – 3450 RPM

23 gpm, 300 Ft/Hd



Water Temperature: 68° F (20° C)

# EXPLODED VIEW



\*Individual part components may vary by model.

900 Motor Not Shown

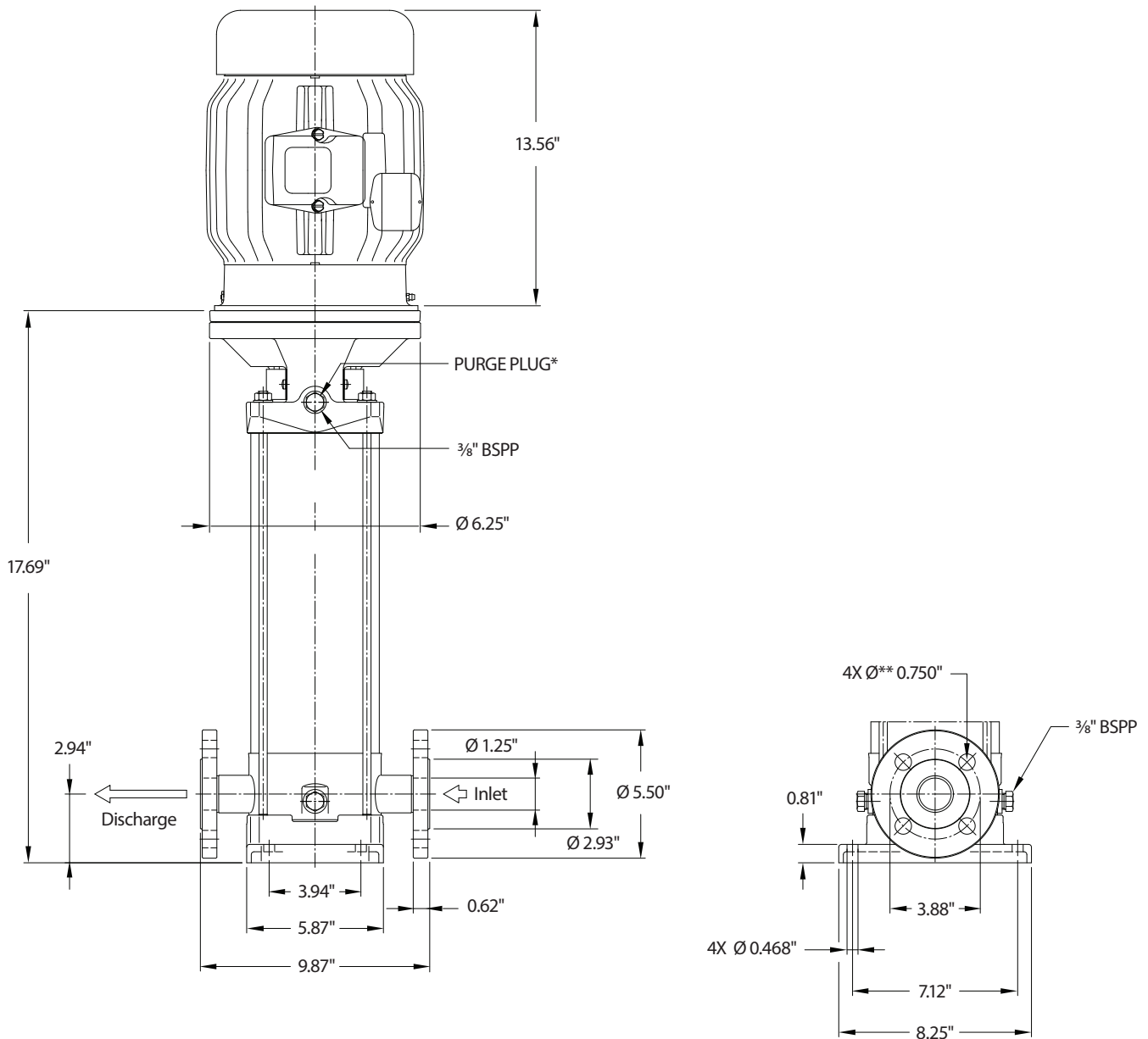
## PARTS LIST

ITEM	PN	MATL	DESCRIPTION	QTY	ITEM	PN	MATL	DESCRIPTION	QTY
900	—		Motor, Electric (Not Shown)	1	920	—	S	Plug, Prime	1
901	—	STL	Ring, Snap, C-Type for Coupler	1	921	—	S	Washer, Prime Plug	1
902	—	STL	Spacer	1	922	—	EPDM	O-Ring, Prime Plug	1
903	—	STL	Ring, Snap, C-Type for Bracket	1	923	—	STL	Pin, Shaft	1
904	—	STL	Bearing, Ball	1	924	—	SS	Shaft	1
905	—	F	Adapter, Motor	1	925	—	S	Nut, Impeller	1
906	—	BBNP	Coupling	1	926	—	S	Casting, Outer	1
907	—	STL	Screw, Set	1	927	—	EPDM	O-Ring, Outer Casing	2
908	—	STZP	Screw, Coupler	2	928	—	S	Plug, Drain	2
909	—	STZP	Screw, Mechanical Seal Seat	4	929	—	S	Casing, Bottom and Base	1
910	—	S	Seat, Mechanical Seal	1	929A	—	AL	Base	1
911	—	EPDM	O-Ring, Mechanical Seal Seat	1	930	—	—	<i>Kit, Seal (Includes Mechanical Seal and Two (2) Outer Casing O-Rings)</i>	<i>1</i>
912	—	ESC	Seal, Mechanical	1	931	—	—	<i>Kit, Hydraulic</i>	<i>1</i>
913	—	S	Sleeve, Shaft	1				<i>Includes:</i>	
914	—	STZP	Rod, Tie	4				<i>Hydraulic Assembly</i>	
915	—	STZP	Nut, Tie Rod	4				<i>Upper and Lower Casing O-Rings</i>	
916	—	STZP	Washer, Tie Rod	4				<i>Pump Shaft Key</i>	
917	—	S	Guard, Coupling	2				<i>Pumps Coupling Snap Ring</i>	
918	—	S	Screw, Coupling Guard	2				<i>Mechanical Seal with O-Rings</i>	
919	—	F	Bracket, Motor	1					

*Italics are optional items*

Material Codes (Not part of part number):

AL=Aluminum BBNP=Brass/Nickel Plated EPDM=Ethylene Propylene Diene Monomer ESC=Silicon Carbide/Carbon/EPDM  
F=Cast Iron S=304 Stainless Steel SS=316 Stainless Steel STL=Steel STZP=Steel/Zinc Plated



**\* All air must be purged out before operation to prevent seal damage.**

**\*\* Flange tightening torque = 52 ft-lbs**

**⚠ CAUTIONS AND WARNINGS**

All high-pressure systems require a primary pressure regulating device (e.g. regulator, unloader) and a secondary pressure relief device (e.g. pop-off valve, relief valve). Failure to install such relief devices could result in personal injury or damage to pump or property. Cat Pumps does not assume any liability or responsibility for the operation of a customer's high-pressure system.

Read all CAUTIONS and WARNINGS before commencing service or operation of any high-pressure system. The CAUTIONS and WARNINGS are included in each Service Manual and with each Accessory Data sheet. CAUTIONS and WARNINGS can also be viewed online at [www.catpumps.com/dynamic-literature/cautions-and-warnings](http://www.catpumps.com/dynamic-literature/cautions-and-warnings) or can be requested directly from Cat Pumps.

**WARRANTY**

View the Limited Warranty online at [www.catpumps.com/literature/cat-pumps-limited-warranty](http://www.catpumps.com/literature/cat-pumps-limited-warranty)