

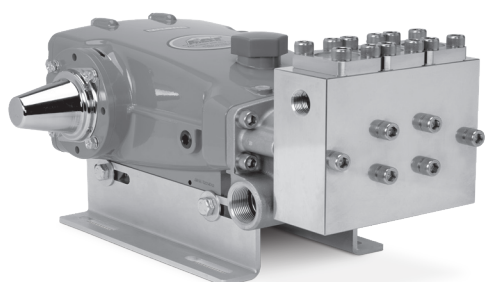
# DATA SHEET

## 25 FRAME PLUNGER PUMPS



**Brass Models: 2560, 2565**

**Brass Bell Housing Models: 2560BH, 2565BH**



Model 2560 Shown  
(Rails and shaft protector sold separately)

### FEATURES

- Triplex plunger design ensures high efficiency and low pulsation.
- V-packings and low-pressure seals are completely lubricated and cooled by pumped liquid, greatly increasing service life.
- Belt-driven option provides precise flow setting.
- Models 2560BH and 2565BH are built with a modified unpainted bearing cover that mounts directly to a bell housing for an SAE-C hydraulic drive option.
- Pump comes standard with NBR seals. Alternative seal materials are available for higher temperature or chemical compatibility.

### COMMON SPECIFICATIONS

	U.S.	Metric
Inlet Pressure Range	Flooded to 70 psi	Flooded to 4.8 bar
Maximum Liquid Temp. (NBR)	160° F	71° C
<b>Alternative seals available for higher temperatures up to 180° F</b>		
Stroke	1.516"	38.5 mm
Crankcase Capacity	84 oz	2.5 l
Inlet Ports (2)	1¼" NPT(F)	1¼" NPT(F)
Discharge Ports (2)	¾" NPT(F)	¾" NPT(F)
Shaft Diameter	1.181"	30 mm
Pulley Mounting	Either Side	Either Side
Weight	92.6 lbs	42 kg
Dimensions	20.35 x 15.04 x 8.58"	517 x 382 x 218 mm

### SPECIFICATIONS

	U.S. Measure	Metric Measure
<b>2560, 2560BH</b>		
Flow	16 gpm	60.5 lpm
Pressure Range	100–3000 psi	6.9–207 bar
Pump RPM*	1510 rpm	1510 rpm
Bore	0.866"	22 mm
<b>2565, 2565BH</b>		
Flow	20 gpm	75.7 lpm
Pressure Range	100–2500 psi	6.9–172 bar
Pump RPM*	1450 rpm	1450 rpm
Bore	0.984"	25 mm

\*Pump minimum is 100 RPM.

### ALTERNATIVE SEAL CONFIGURATION

MATERIAL	SUFFIX CODE	MAXIMUM TEMPERATURE	
NBR	—	160° F	(71° C)
FPM	.0110	180° F	(82° C)

See **Tech Bulletin 002** for inlet conditions and RPM at high-temperature.

<b>DETERMINING THE PUMP RPM</b>	Rated gpm Rated rpm	=	Desired gpm Desired rpm
<b>DETERMINING THE REQUIRED HP</b>	hp (Electric Brake)	=	$\frac{\text{gpm} \times \text{psi}}{1460}$
<b>DETERMINING MOTOR PULLEY SIZE</b>	Motor Pulley OD Pump rpm	=	$\frac{\text{Pump Pulley OD}}{\text{Motor rpm}}$

Refer to pump **Service Manual** for repair procedure and additional technical information.

# PARTS LIST

ITEM	PART NUMBER	MATL	PART NUMBER	MATL	DESCRIPTION	QTY
	<b>2560, 2560BH</b>		<b>2565, 2565BH</b>			
5	126544	STCP R	126544	STCP R	Screw, HHC Sems (M8 x 25) (See Tech Bulletin 074)	8
8	134966	ALE	134966	ALE	Cover, Bearing (Models 2560, 2565)	2
	134966	ALE	134966	ALE	Cover, Bearing (Models 2560BH, 2565BH)	1
10	27772	NBR	27772	NBR	O-Ring, Bearing Cover-70D	2
11	27771	NBR	27771	NBR	Seal, Oil, Crankshaft	2
15	26512	STL R	26512	STL R	Bearing, Ball	2
20	126809	BZ	126809	BZ	Assembly, Connecting Rod (Includes Item: 21) (See Tech Bulletin 074)	3
21	126562	STCP R	126562	STCP R	Washer, Locking (M10)	3
25	49795	FCM	49795	FCM	Crankshaft, Dual End (M38.5)	1
30	670012	AL	670012	AL	Cover, Bearing (Use Unpainted Cover for Models 2560BH, 2565BH Not Shown)	1
31	828710	PE	828710	PE	Protector, Oil Cap with Polyurethane Gasket	1
32	43211	ABS	43211	ABS	Cap, Oil Filler	1
33	14177	NBR	14177	NBR	O-Ring, Oil Filler Cap-70D	1
37	92241	PC	92241	PC	Gauge, Bubble, Oil with Gasket-80D (See Tech Bulletin 074)	1
38	44428	NBR	44428	NBR	Gasket, Flat, Oil Gauge-80D	1
39	27769	ABS	27769	ABS	Dipstick	1
40	126544	STCP R	126544	STCP R	Screw, HHC Sems (M8 x 25) (See Tech Bulletin 074)	8
43	129343	RBR	129343	RBR	Gasket, Dipstick	1
48	25625	STCP	25625	STCP	Plug, Drain (1/4" x 19 BSP)	1
49	23170	NBR	23170	NBR	O-Ring, Drain Plug-70D	1
50	133582	ALE	133582	ALE	Cover, Rear	1
51	27767	NBR	27767	NBR	O-Ring, Rear Cover-70D	1
53	133609	ALE	133609	ALE	Crankcase Assembly (Includes Item: 54)	1
54	27488	S	27488	S	Pin, Guide	2
56	27790	POP	27790	POP	Pan, Oil	1
57	22981	STCP R	22981	STCP R	Washer, Oil Pan	2
59	125824	STCP R	125824	STCP R	Screw, HHC Sems (M6 x 16)	2
64	27784	CM	27784	CM	Pin, Crosshead	3
65	134716	SSBZ	134716	SSBZ	Rod, Plunger	3
70	27785	NBR	27785	NBR	Seal, Oil, Crankcase	3
75	110669	S	110669	S	Slinger, Barrier	3
88	110670	S	110670	S	Washer, Keyhole	3
90	<b>134986</b>	CC	—	—	Plunger (M22 x 93)	3
	—	—	<b>134968</b>	CC	Plunger (M25 x 93)	3
95	126557	STCP R	126557	STCP R	Stud, Plunger Retainer (M7 x 71)	3
96	20184	PTFE	20184	PTFE	Backup Ring, Plunger Retainer	3
97	14190	NBR	14190	NBR	O-Ring, Plunger Retainer-70D	3
98	44069	SS	44069	SS	Gasket, Plunger Retainer	3
99	44068	SS	44068	SS	Retainer, Plunger (M7) (See Tech Bulletin 074)	3
100	49788	NY	49788	NY	Retainer, Seal (Outer)	3
	49789	NY	49789	NY	Retainer, Seal (Inner)	3
101	<b>134988</b>	—	<b>48487</b>	—	Wick	3
106	<b>49644</b>	NBR	<b>44086</b>	NBR	Seal, Low-Pressure with SS-Spring	3
107	48537	BB	48537	BB	Washer, Low-Pressure	3
110	<b>134990</b>	FBB	<b>134970</b>	FBB	Manifold, Inlet	1
112	11379	NBR	11379	NBR	O-Ring, Inlet Manifold-70D	3
117	88398	S	88398	S	Screw, HSH (M12 x 40) (See Tech Bulletin 074)	4
126	<b>134991</b>	BB	<b>134971</b>	BB	Adapter, Female	3
127	<b>134992</b>	SNG	<b>134972</b>	SNG	V-Packing	6
155	11442	NBR	11442	NBR	O-Ring, Spacer, V-Packing	3-6
156	23086	PTFE	23086	PTFE	Backup Ring, Spacer, V-Packing	3-6
157	<b>134993</b>	BB	<b>670240</b>	S	Spacer, V-Packing	3
158	<b>28675</b>	PTFE	—	—	Backup Ring, Spacer, V-Packing	3
159	<b>14200</b>	NBR	—	—	O-Ring, Spacer, V-Packing-70D	3
160	49092	NBR	49092	NBR	O-Ring, Inlet Valve Seat-80D	3
161	49091	S	49091	NBR	Seat, Inlet	3
162	49088	PTFE	49088	PTFE	Backup Ring, Discharge Seat	3
163	49087	NBR	49087	NBR	O-Ring, Discharge Seat-70D	3
164	49086	S	49086	S	Seat, Discharge	3
165	49090	PVDF	49090	PVDF	Retainer, Inlet Spring	3
166	49089	S	49089	S	Valve	6
167	44109	SS	44109	SS	Spring	6
168	49085	PVDF	49085	PVDF	Retainer, Discharge Spring	3
172	18690	NBR	18690	NBR	O-Ring, Valve Plug-70D	3
173	20369	PTFE	20369	PTFE	Backup Ring, Valve Plug	3
174	134977	FBB	134977	FBB	Plug, Valve	3
175	89921	S	89921	S	Screw, HSH (M12 x 30) (See Tech Bulletin 074)	12
185	134975	BB	134975	BB	Manifold, Discharge	1
188	49045	S	49045	S	Screw, HSH (M12 x 95) (See Tech Bulletin 074)	6

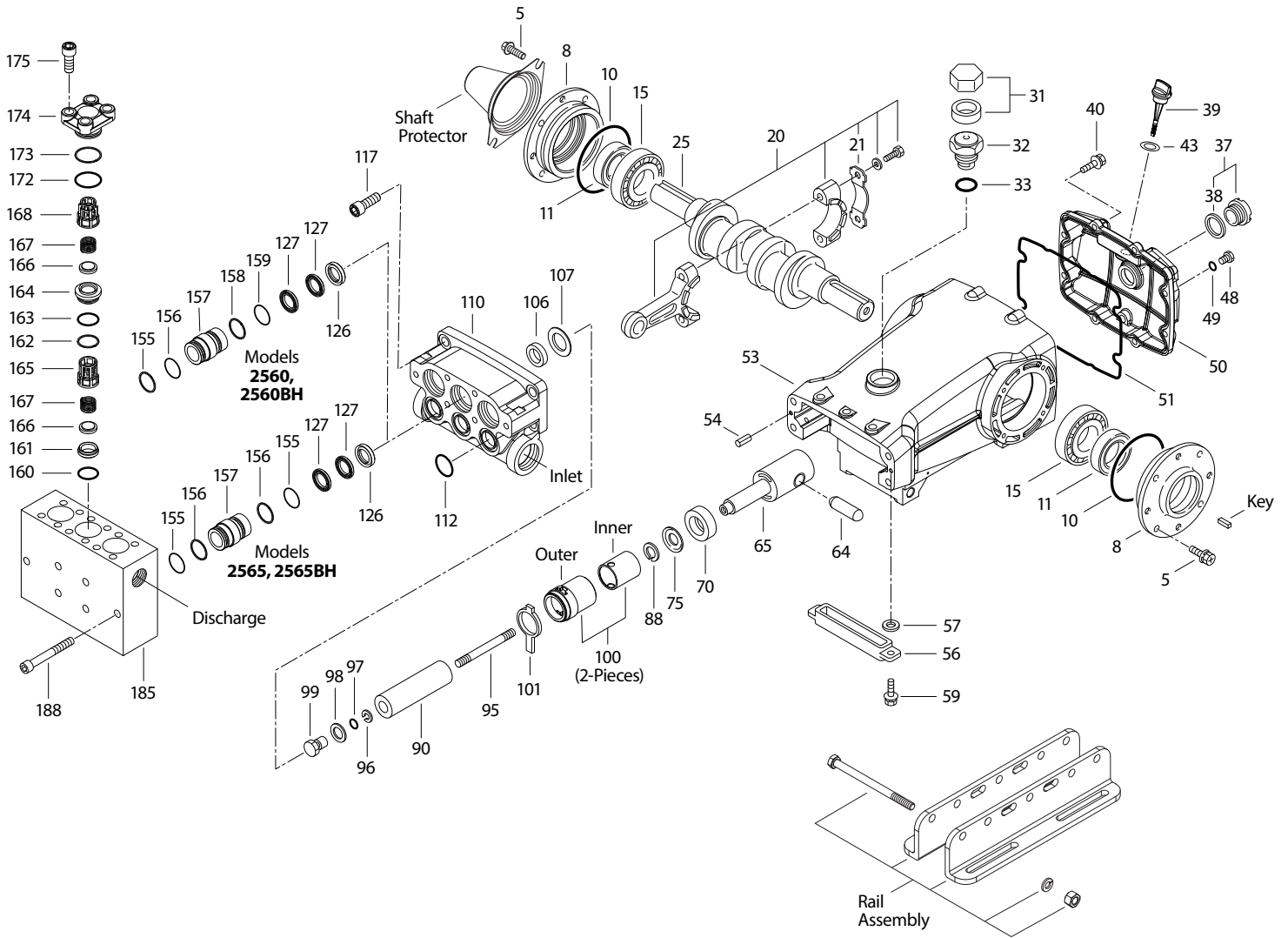
**Bold part numbers are unique to a particular pump model.** *Italics are optional items.* R Components comply with RoHS Directive.

\* Review material codes for individual items (SNG generally may be used as alternate). For additional technical information see [www.catpumps.com/literature/tech-bulletins](http://www.catpumps.com/literature/tech-bulletins)

MATERIAL CODES (Not Part of Part Number): ABS=ABS Plastic AL=Aluminum ALE=Aluminum Epoxy BB=Brass BZ=Bronze CC=Ceramic CM=Chrome-Moly  
D=Acetal FBB=Forged Brass FCM=Forged Chrome-Moly NBR=Medium Nitrile (Buna-N) NY=Nylon PC=Poly Carbonate PE=Polyethylene POP=Polypropylene  
PTFE=Pure Polytetrafluoroethylene PVDF=Polyvinylidene Fluoride RBR=Rubber S=304SS SNG=Special Blend (Buna) SS=316SS SSBZ=316SS/Bronze  
STCP=Steel/Chrome Plated STL=Steel STZP=Steel/Zinc Plated

**Optional Parts and Accessories and Service Parts listed on page 3. Standard and optional Seal and Valve Kits listed on page 4.**

# EXPLODED VIEW



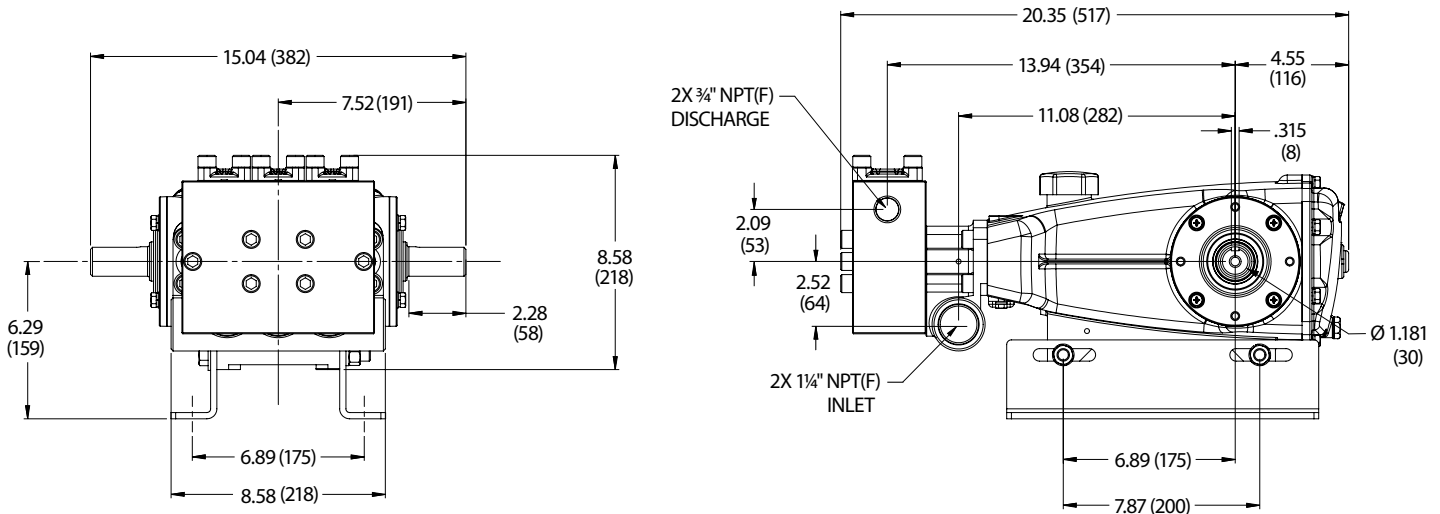
Models  
Standard – 2560, 2565  
Bell Housing – 2560BH, 2565BH  
July 2024

## OPTIONAL PARTS AND ACCESSORIES

PART	DESCRIPTION	QTY
990036	Key (M8 x 7 x 40)	1
30614	Assembly, Rail	1
26516	Protector, Shaft	1
76SAEC.25FR	Bell Housing – SAEC (Not Shown) (Models: 2560, 2565)	1
76SAEC.25FRBH	Bell Housing – SAEC (Not Shown) (Models: 2560BH, 2565BH)	1
994303	Flexible Coupler Assembly – SAEC (Not Shown)	1
34334	Kit, Oil Drain (3/8" x 24") (Not Shown)	1

## SERVICE PARTS

PART	DESCRIPTION	QTY
<b>76853</b>	Seal Kit – Standard NBR – (Models 2560, 2560BH)	1
<b>76854</b>	Seal Kit – Standard NBR – (Models 2565, 2565BH)	1
<b>31292</b>	Valve Kit – Standard NBR	1
6107	Oil, Bottle (21 oz bottle) (Fill to Specified Crankcase Capacity Prior to Start-up)	4
6124	Gasket, Liquid (3 oz)	1
30696	Reverse Pliers (Not Shown)	1



## SEAL KITS One (1) seal kit required per pump

PUMP MODELS	NBR (STD)	FPM (.0110)
2560, 2560BH	<b>76853*</b>	<b>32282</b>
2565, 2565BH	<b>76854*</b>	—

ITEM (Included in Seal Kits)	DESCRIPTION		QTY
97	14190	14161 O-Ring, Plunger Retainer	3
106	<b>49644</b>	<b>49704</b> Seal, Low-Pressure with SS-Spring (Models 2560, 2560BH)	3
	<b>44086</b>	Seal, Low-Pressure with SS-Spring (Models 2565, 2565BH)	3
112	11379	14183 O-Ring, Inlet Manifold	3
127	<b>134992</b>	<b>48278</b> V-Packing (Models 2560, 2560BH)	6
	<b>134972</b>	V-Packing (Models 2565, 2565BH)	6
155	11442	77318 O-Ring, Spacer, V-Packing (Models 2560, 2560BH)	3
	11442	O-Ring, Spacer, V-Packing (Models 2565, 2565BH)	6
156	23086	23086 Backup Ring, Spacer, V-Packing (Models 2560, 2560BH)	3
	23086	Backup Ring, Spacer, V-Packing (Models 2565, 2565BH)	6
158	28675	28675 Backup Ring, Spacer, V-Packing (Models 2560, 2560BH)	3
159	14200	11719 O-Ring, Spacer, V-Packing (Models 2560, 2560BH)	3

\*Review material codes for individual items (SNG may be used as alternative)

## VALVE KITS One (1) valve kit required per pump

PUMP MODELS	NBR (STD)	FPM (.0110)
2560, 2560BH	<b>31292</b>	<b>31296</b>
2565, 2565BH		

ITEM (Included in Valve Kits)	DESCRIPTION		QTY
160	49092	49155 O-Ring, Inlet Valve Seat	3
161	49091	49091 Seat, Inlet	3
162	49088	49088 Backup Ring, Valve Seat	3
163	49087	49154 O-Ring, Valve Seat	3
164	49086	49086 Seat, Discharge	3
165	49090	49090 Retainer, Inlet Spring	3
166	49089	49089 Valve	6
167	44109	44109 Spring	6
168	49085	49805 Retainer, Discharge Spring	3
172	18690	11744 O-Ring, Valve Plug	3
173	20369	20369 Backup Ring, Valve Plug	3

### ⚠ CAUTIONS AND WARNINGS

All high-pressure systems require a primary pressure regulating device (e.g. regulator, unloader) and a secondary pressure relief device (e.g. pop-off valve, relief valve). Failure to install such relief devices could result in personal injury or damage to pump or property. Cat Pumps does not assume any liability or responsibility for the operation of a customer's high-pressure system. Read all CAUTIONS and WARNINGS before commencing service or operation of any high-pressure system. The CAUTIONS and WARNINGS are included in each Service Manual and with each Accessory Data sheet. CAUTIONS and WARNINGS can also be viewed online at [www.catpumps.com/dynamic-literature/cautions-and-warnings](http://www.catpumps.com/dynamic-literature/cautions-and-warnings) or can be requested directly from Cat Pumps.

### WARRANTY

View the Limited Warranty online at [www.catpumps.com/literature/cat-pumps-limited-warranty](http://www.catpumps.com/literature/cat-pumps-limited-warranty)