

# MODELS 2560 & 2565 PLUNGER PUMPS



## 2560

16 GPM | 3,000 PSI

## 2565

20 GPM | 2,500 PSI



## Maximize Uptime with Cat Pumps

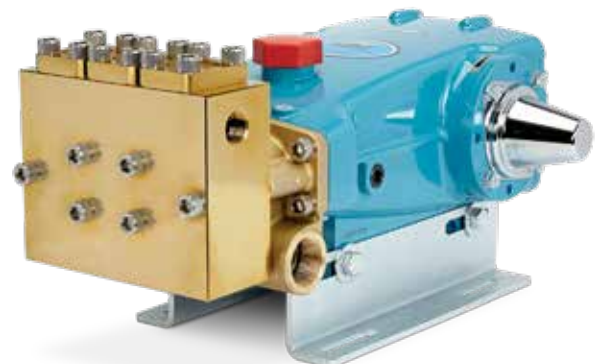
Cat Pumps products are accepted as an industry standard for high-pressure applications. Our dependable performance keeps equipment running to meet production requirements and tight schedules. Given its durability, the 2560 and 2565 can be used in a variety of mobile and industrial applications, such as hydro excavating, jetting, hydroblasting, central cleaning, equipment washdown, among others.

### Features:

- Crankcase crosshead area is concentric with 360° plunger rod support and features drilled-through oil port to lubricate front side of crosshead area, resulting in long, reliable drive-end performance.
- Two-coat electrostatic applied primer + epoxy paint finish provides a more durable finish than anodizing for better appearance and durability in outdoor environments.
- Flexible drive options:
  - Belt drive to engine or motor
  - Direct drive to hydraulic motor

### Typical Applications:

- Hydro Excavating
- Water Jetting
- Surface Preparation
- Central Cleaning Systems
- Equipment Washdown
- High-Flow/Pressure Flushing
- Multi-Gun Systems



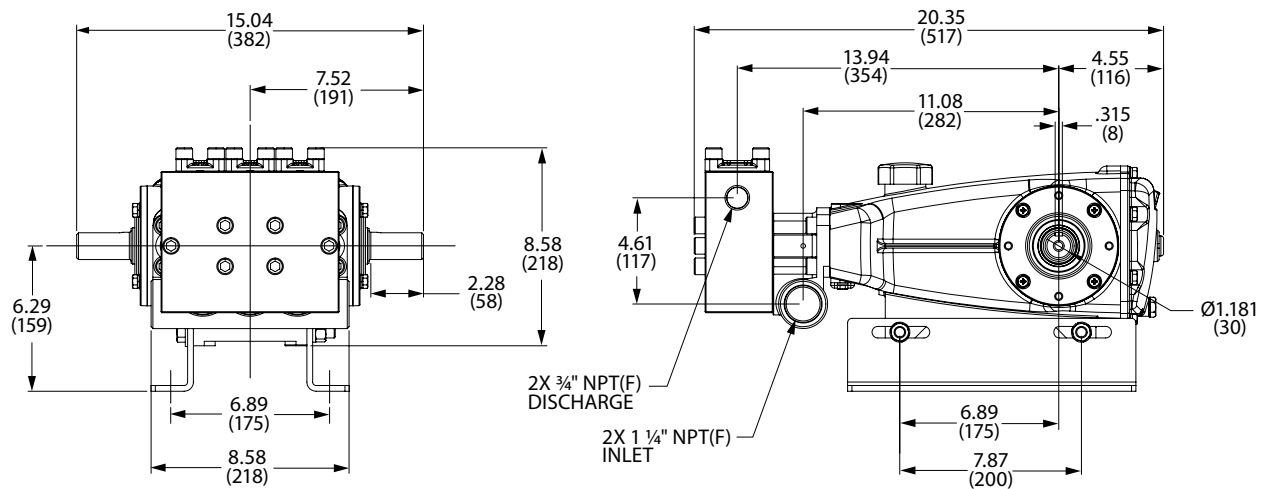
## Specifications

	U.S. MEASURE	METRIC MEASURE	
<b>MODEL 2560</b>	<b>Flow</b>	16 gpm	60.5 lpm
	<b>Pressure</b>	3000 psi	207 bar
	<b>RPM*</b>	1510 rpm	1510 rpm
<b>MODEL 2565</b>	<b>Flow</b>	20 gpm	75.7 lpm
	<b>Pressure</b>	2,500 psi	172 bar
	<b>RPM*</b>	1450 rpm	1450 rpm

\*Pump Minimum is 100 RPM

	U.S. MEASURE	METRIC MEASURE
<b>Inlet Pressure Range</b>	Flooded to 70 psi	Flooded to 4.8 bar
<b>Max Liquid Temp</b>	160° F	71° C
<b>Inlet Ports (2)</b>	1 ¼" NPT(F)	1 ¼" NPT(F)
<b>Discharge Ports (2)</b>	¾" NPT(F)	¾" NPT(F)
<b>Weight</b>	95 lbs	42 kg
<b>Dimensions</b>	20.35 x 15.04 x 8.58"	517 x 382 x 218 mm

## Dimensions



## Popular Accessories



**Unloader**  
PN 7542  
1–21 gpm  
406–4060 psi



**Pop-Off Valve**  
PN 9940  
0–25 gpm  
1000–4000 psi



**Pressure Gauge**  
PN 6089  
0–6000 psi



**Inlet Filter**  
PN 7107.7  
50 gpm Max  
1 ¼" NPT(F)



**Oil**  
PN 6102  
2.5 Gallon Jug  
Specially-Formulated  
for Extended Protection

Contact Cat Pumps for more information at [info@catpumps.com](mailto:info@catpumps.com) or (763) 780-5440



**CAT PUMPS**  
1681 – 94TH LANE N.E. MINNEAPOLIS, MN 55449-4324  
PHONE (763) 780-5440 — FAX (763) 780-2958  
e-mail: [info@catpumps.com](mailto:info@catpumps.com)  
[www.catpumps.com](http://www.catpumps.com)