

2560BH & 2565BH DIRECT DRIVE PUMPS



2560BH

16 GPM | 3,000 PSI

2565BH

20 GPM | 2,500 PSI



Compact Power for Hydraulic Direct-Drive Applications

Cat Pumps engineers have optimized every detail to produce an innovative pump design with excellent service life. With a bell housing, the 2560BH and 2565BH easily attach to an SAE C hydraulic motor. The compact direct-drive allows for space saving footprint, and being direct driven, it's simple to install and maintain.

Designed for continuous-duty applications, the models 2560BH and 2565BH pumps are what industry leaders demand — a dependable, high-quality product backed by world-class customer service, training and support.

Direct-Drive Features:

- Ease of assembly reduces time and labor costs
- Compact direct mounting reduces space requirement
- Bell housings are cast from lightweight, high-strength aluminum alloy
- Flex couplers available to adapt to any hydraulic motor shaft

Typical Applications:

- Hydro Excavating
- High-Pressure Wash
- Water Jetting
- Surface Preparation



Model 2560BH Pump with Mounting Rails,
76SAEC.25FRBH Bell Housing and SAE C Motor

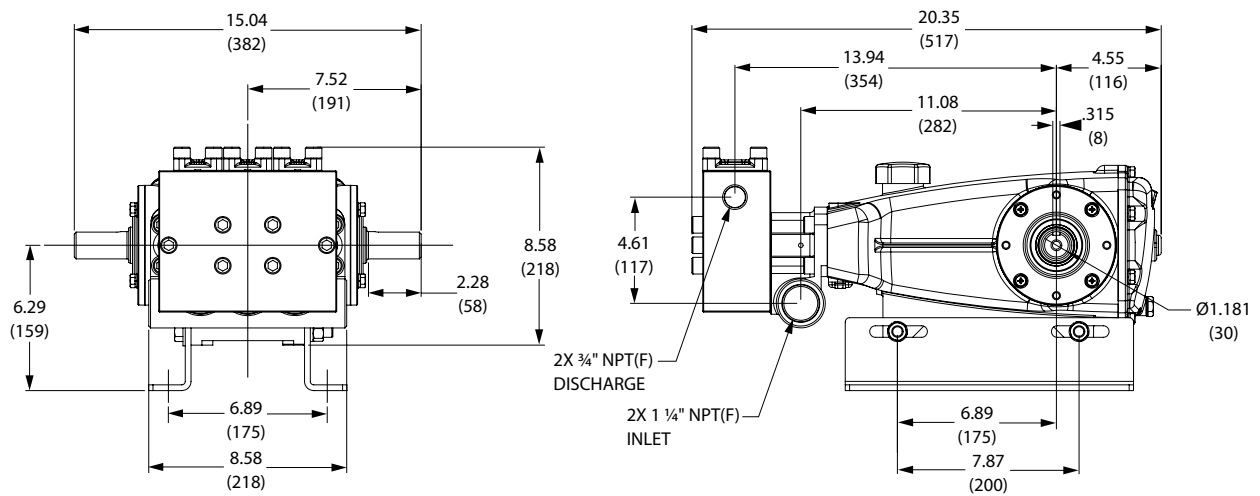
Specifications

	U.S. MEASURE	METRIC MEASURE	
2560BH	Flow	16 gpm	60.5 lpm
	Pressure	3000 psi	207 bar
	RPM*	1510 rpm	1510 rpm
2565BH	Flow	20 gpm	75.7 lpm
	Pressure	2500 psi	172 bar
	RPM*	1450 rpm	1450 rpm

*Pump Minimum is 100 RPM

	U.S. MEASURE	METRIC MEASURE
Inlet Pressure Range	Flooded – 30 psi	Flooded – 2.1 bar
Max Liquid Temp	160° F	71° C
Inlet Ports (2)	1 ¼" NPT(F)	1 ¼" NPT(F)
Discharge Ports (2)	¾" NPT(F)	¾" NPT(F)
Weight	95 lbs	42 kg
Dimensions	20.35 x 15.04 x 8.58"	517 x 382 x 218 mm

Dimensions



Popular Accessories



Unloader
PN 7542
1–21 GPM
800–4,000 PSI



Pop-Off Valve
PN 9940
0–25 GPM
1,000–4,000 PSI



Pressure Gauge
PN 6089
0–6,000 PSI



Bell Housing Assembly
PN 76SAEC.25FRBH
Pump to SAE C Motor
Fits 2 or 4 bolt



Flex Coupler Assembly
PN 994303
30 mm x 1 ¼"

Contact Cat Pumps for more information at info@catpumps.com or (763) 780-5440



CAT PUMPS
1681 – 94TH LANE N.E. MINNEAPOLIS, MN 55449-4324
PHONE (763) 780-5440 — FAX (763) 780-2958
e-mail: info@catpumps.com
www.catpumps.com