

MODEL 67DX40HU DIRECT DRIVE PUMP



4 GPM | 4,000 PSI

Compact Hydraulic-Driven Pumps

Customers trust Cat Pumps for durable and long-lasting products, and the 67DX series is no exception. These pumps are designed for continuous-duty applications, ensuring that equipment operates reliably and efficiently over time. The compact hydraulic drive not only saves space but is also easy to install and maintain.

Features

- Mounting bracket fits a standard SAE "A" 2-bolt hydraulic motor.
- Compact direct mount for a small footprint.
- Integral unloader with built-in bypass.
- Pump and unloader are field repairable, and no special tools required.
- Available as pump only or as a complete pump and motor assembly.

Typical Applications

- Jetting
- Hydro Excavation
- Wash-Down Systems
- Restroom Service Trucks
- Refuse Trucks

Pump Motor Assemblies

- 67DXHUDHYD with 0.69 in³ Motor



67DXHUDHYD Assembly shown with 0.69 in³ motor

Specifications

	US MEASURE	METRIC MEASURE
Flow	4 gpm	11.4 lpm
Pressure Range	3000–4000 psi	207–275 bar
RPM	3200 rpm	3200 rpm
Inlet Pressure Range	Flooded – 60 psi	Flooded – 4.1 bar
Max Liquid Temperature	140° F	60° C
Inlet Port	½" NPT(F)	½" NPT(F)

	US MEASURE	METRIC MEASURE
Discharge Port	¾" NPT(M)	¾" NPT(M)
Accessory Port (Inlet)	¼" NPT(F)	¼" NPT(F)
Accessory Port (Discharge)	¾" NPT(F)	¾" NPT(F)
Weight (Pump Only)	20.5 lbs	9.3 kg
Weight (Pump and Motor Assembly)	28.0 lbs	12.7 kg
Hollow Shaft	⅝" (⅜" Keyway)	15.8 mm (3.97 mm Keyway)

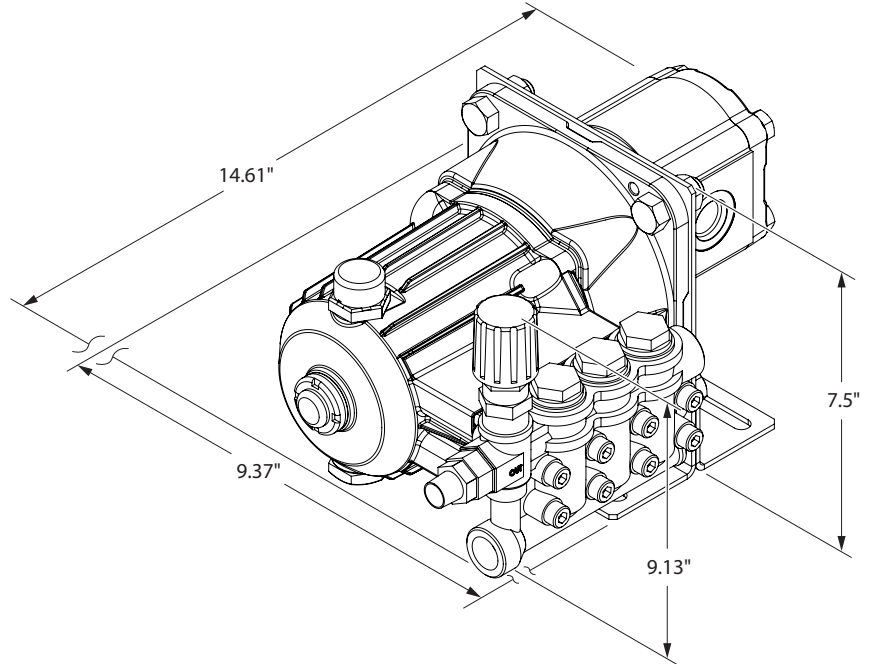
Hydraulic Requirements

PUMP FLOW AND PRESSURE	67DXHUDHYD With 0.69 in³ Motor	
	HYDRAULIC FLOW	HYDRAULIC PRESSURE
4 gpm at 4000 psi	10 gpm	2050 psi
4 gpm at 3000 psi	10 gpm	1550 psi

Hydraulic Motor Inlet/Discharge Ports	SAE-12
Hydraulic Motor Case Drain Port	SAE-6

Alternative displacement motors are available upon request to meet your existing hydraulic system capabilities.

Dimensions



Popular Accessories



Pop-Off Valve

PN 33962

Up to 6 GPM
Up to 4,000 PSI



Thermal Valve

PN 7140

¼" NPT(M)
140° F



Pressure Gauge

PN 6089

0–6,000 PSI



Inlet Strainer

PN 7104.4

½" NPT(F)
10 GPM Max



Mounting Assembly

PN 76SAEA2.5SP

SAE "A" 2-Bolt

Contact Cat Pumps for pricing or more information at info@catpumps.com or (763) 780-5440



CAT PUMPS

1681 – 94TH LANE N.E. MINNEAPOLIS, MN 55449-4324
PHONE (763) 780-5440 | FAX (763) 780-2958
E-MAIL: INFO@CATPUMPS.COM
WWW.CATPUMPS.COM