

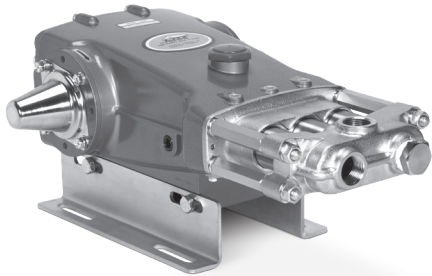
# DATA SHEET

## 25 FRAME PISTON PUMPS



**Brass Model: 2520**

**High-Temperature Model: 2520C**



Model 2520 Shown  
(Shaft protector and mounting rails sold separately)

### FEATURES

- Triplex Uniflow design provides continuous forward liquid flow, promoting smooth operation.
- Wetted cups and floating pistons are lubricated and cooled by pumped liquid, resulting in longer cup life.
- Mechanically-actuated inlet valves give strong lift, helping to prime the pump.
- 100% wetted seal design increases life by allowing pumped liquid to cool and lubricate for longer life.
- Model 2520C offers external flushing and dual inlet seals for high-temperature fluids up to 210° F.
- Pump comes standard with NBR seals. Alternative seal materials are available for higher temperature or chemical compatibility.

SPECIFICATIONS	U.S. Measure	Metric Measure
Flow	25 gpm	94.6 lpm
Pump Pressure Range	100–800 psi	6.9–55 bar
Pump RPM*	772 rpm	772 rpm
Inlet Pressure Range	-8.5–40 psi	-0.6–2.8 bar
Max. Liquid Temp. (NBR) (2520)	160° F	71° C
<b>Alternative seals available for higher temperatures up to 180° F</b>		
Max. Liquid Temp. (2520C)	210° F	98° C
Bore	1.490"	38 mm
Stroke	1.417"	36 mm
Crankcase Capacity	84 oz	2.5 l
Inlet Ports (1)	1¼" NPT(F)	1¼" NPT(F)
Flush Ports (2) (2520C)	¼" NPT(F)	¼" NPT(F)
Discharge Ports (3)	1" NPT(F)	1" NPT(F)
Shaft Diameter	1.181"	30 mm
Pulley Mounting	Either Side	Either Side
Weight	54 lbs	24.5 kg
Dimensions (2520, 2525)	21.93 x 15.04 x 7.8"	557 x 382 x 198 mm

\*Pump minimum is 100 RPM.

### ALTERNATIVE SEAL CONFIGURATION

MATERIAL	SUFFIX CODE	MAXIMUM TEMPERATURE	
NBR	—	160° F	(71° C)
FPM	.0110	180° F	(82° C)
HT	.3000	180° F	(82° C)

See **Tech Bulletin 002** for inlet conditions and RPM at high-temperature.

$$\frac{\text{DETERMINING THE PUMP RPM}}{\text{Rated rpm}} = \frac{\text{Desired rpm}}{\text{Rated gpm}}$$

$$\frac{\text{DETERMINING THE REQUIRED HP}}{\text{hp (Electric Brake)}} = \frac{\text{gpm x psi}}{1460}$$

$$\frac{\text{DETERMINING MOTOR PULLEY SIZE}}{\text{Motor Pulley OD}} = \frac{\text{Pump Pulley OD}}{\text{Pump rpm}}$$

Refer to pump **Service Manual** for repair procedure and additional technical information.

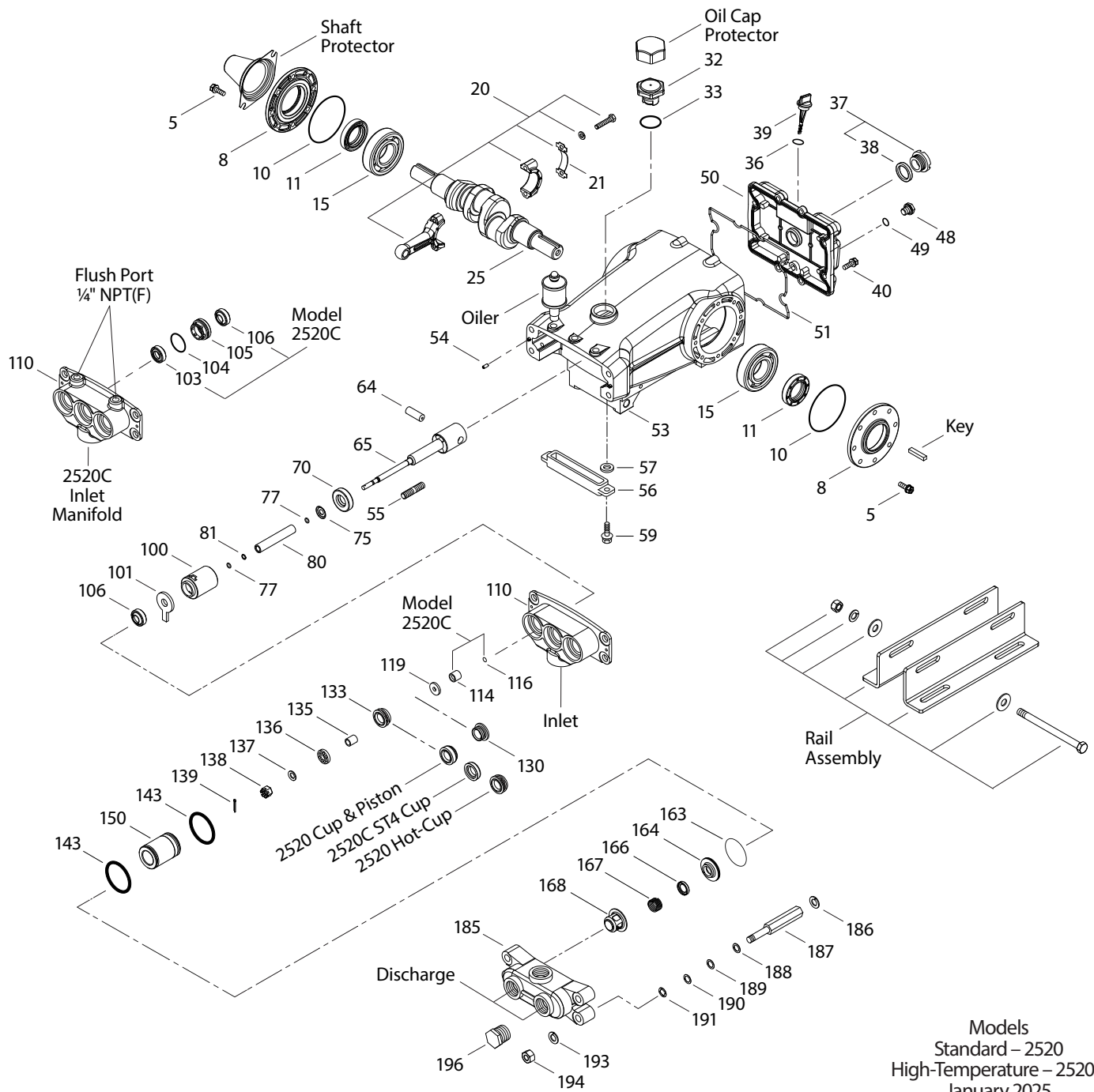
# PARTS LIST

ITEM	P/N	MATL	P/N	MATL	DESCRIPTION	QTY
	<b>2520</b>		<b>2520C</b>			
5	126544	STCP R	126544	STCP R	Screw, HHC, Sems (M8 x 25) (See Tech Bulletin 074)	8
8	134966	ALE	134966	ALE	Cover, Bearing	2
10	27772	NBR	27772	NBR	O-Ring, Bearing Cover	2
11	27771	NBR	27771	NBR	Seal, Oil, Crankshaft	2
15	26512	STL R	26512	STL R	Bearing, Ball	2
20	48613	TNM	48613	TNM	Assembly, Rod, Connecting (Includes: Lockwasher, Washer, Screws) (See Tech Bulletin 074)	3
21	126562	STCP R	126562	STCP R	Washer, Locking	3
25	49795	FCM	49795	FCM	Crankshaft, Dual-End (M38.5)	1
32	43211	ABS	43211	ABS	Cap, Oil Filler	1
33	14177	NBR	14177	NBR	O-Ring, Oil Filler Cap	1
36	129343	RBR	129343	RBR	Gasket, Flat	1
37	92241	PC	92241	PC	Gauge, Oil Bubble with Gasket (See Tech Bulletin 074)	1
38	44428	NBR	44428	NBR	Gasket, Flat, Oil Gauge	1
39	27769	ABS	27769	ABS	Dipstick	1
40	126544	STCP R	126544	STCP R	Screw, HHC, Sems (M8 x 25) (See Tech Bulletin 074)	8
48	25625	STCP	25625	STCP	Plug, Drain (1/4" x 19 BSP)	1
49	23170	NBR	23170	NBR	O-Ring, Drain Plug	1
50	133582	ALE	133582	ALE	Cover, Rear	1
51	27767	NBR	27767	NBR	O-Ring, Rear Cover	1
53	133609	ALE	133609	ALE	Crankcase, Assembly (Includes: 54)	1
54	27488	S	27488	S	Pin, Guide	2
55	126547	STCP R	126547	STCP R	Stud (M12 x 53)	4
56	27790	POP	27790	POP	Pan, Oil	1
57	22981	STCP R	22981	STCP R	Washer, Oil Pan	2
59	125824	STCP R	125824	STCP R	Screw, HHC, Sems (M6 x 16)	2
64	27784	CM	27784	CM	Pin, Crosshead	3
65	<b>29229</b>	SZZ	<b>43266</b>	SZZ	Rod, Piston (M8)	3
70	27785	NBR	27785	NBR	Seal, Oil, Crankcase	3
75	27786	S	27786	S	Slinger, Barrier	3
77	<b>26531</b>	NBR	<b>14198</b>	FPM	O-Ring, Sleeve	6
80	43122	SCP	43122	SCP	Sleeve (M16)	3
	43123	S	43123	S	<i>Sleeve (M16) (Unchromed)</i>	3
81	29246	PTFE	29246	PTFE	Backup Ring, Sleeve	3
100	27788	PVDF	27788	PVDF	Retainer, Seal	3
101	43126	—	43126	—	Wick, Long Tab (M16)	3
103	—	—	<b>43269</b>	FPM	Seal with Lip	3
104	—	—	<b>14178</b>	NBR	O-Ring, Seal Adapter	3
105	—	—	<b>43268</b>	S	Adapter, Low-Pressure	3
106	<b>43124</b>	NBR	<b>43272</b>	FPM	Seal (M16)—Seal with Grease Pocket	3
110	<b>27791</b>	BBCP	<b>43270</b>	BBCP	Manifold, Inlet	1
114	—	—	<b>46148</b>	S	Spacer, Inlet Valve	3
116	—	—	<b>14198</b>	FPM	O-Ring, Spacer	3
119	29240	S	29240	S	Valve, Inlet (M8)	3
130	<b>27840</b>	S	—	—	Piston	3
133	<b>28409</b>	FPM	<b>76498</b>	ST4	Cup, Piston	3
135	29231	S	29231	S	Spacer, Piston (M8)	3
136	29239	S	29239	S	Retainer, Piston (M8)	3
137	27871	S	27871	S	Washer, Conical (M8)	3
138	27510	S	27510	S	Nut, Slotted (M8) (See Tech Bulletin 074)	3
139	29589	S	29589	S	Cotterpin (M2 x 18)	3
143	<b>25495</b>	NBR	<b>11748</b>	FPM	O-Ring, Cylinder	6
150	27844	SCP	27844	SCP	Cylinder, (M65)	3
	29049	S	29049	S	<i>Cylinder, (M65) (Unchromed)</i>	3
163	<b>28395</b>	NBR	<b>28769</b>	FPM	O-Ring, Valve Seat	3
164	28396	S	28396	S	Seat	3
166	43133	S	43133	S	Valve	3
167	26548	S	26548	S	Spring	3
168	43134	S	43134	S	Retainer, Spring	3
185	27805	BBCP	27805	BBCP	Manifold, Discharge	1
186	126570	STCP R	126570	STCP R	Lockwasher (1/2")	4
187	<b>27803</b>	STCP	<b>43277</b>	STCP	Bolt, Cylinder	4
188	126586	STCP R	126586	STCP R	Shim, Washer (M12.5 x 0.3)	4-8
189	126580	STCP R	126580	STCP R	Shim, Washer (M12 x 0.5)	4-8
190	126581	STCP R	126581	STCP R	Shim, Washer (M12.5 x 1.0)	4-8
191	27933	STZP	27933	STZP	Retainer, Shim (M12)	4
193	126570	STCP R	126570	STCP R	Lockwasher (1/2")	4
194	126523	STCP R	126523	STCP R	Nut, Hex (M12) (See Tech Bulletin 074)	4
196	27807	BBCP	27807	BBCP	Plug (1" NPT[M])	1

**Bold part numbers are unique to a particular pump model. Italics are optional items.**

R Components comply with RoHS Directive. For additional technical information see [www.catpumps.com/literature/tech-bulletins](http://www.catpumps.com/literature/tech-bulletins).  
MATERIAL CODES (Not Part of Part Number): ABS=ABS Plastic ALE=Aluminum Epoxy BBCP=Brass/Chrome Plated CM=Chrome-Moly  
FCM=Forged Chrome-Moly FPM=Fluorocarbon NBR=Medium Nitrile (Buna-N) PC=Poly Carbonate POP=Polypropylene  
PTFE=Pure Polytetrafluoroethylene PVDF=Polyvinylidene Fluoride RBR=Rubber S=304SS SCP=304SS/Chrome Plated  
ST4=Special PTFE4 STCP=Steel/Chrome Plated STL=Steel STZP=Steel/Zinc Plated  
SZZ=304SS/Zamak TNM=Special High Strength

# EXPLODED VIEW



Models  
 Standard – 2520  
 High-Temperature – 2520C  
 January 2025

## OPTIONAL PARTS AND ACCESSORIES

PART	DESCRIPTION	QTY
990036	Key (M8 x 7 x 40)	1
30614	Assembly, Rail	1
30206	Pulley, 10" 2 - Groove (Not Shown)	1
30059	Hub, "H" 30mm (Not Shown)	1
828710	Protector, Oil Cap	1
26516	Protector, Shaft	1
34334	Kit, Oil Drain (3/8" x 24") (Not Shown)	1
30278	Oiler, (1 oz)	3

## SERVICE PARTS

PART	DESCRIPTION	QTY
<b>30482</b>	Kit, Seal – Standard NBR	1
<b>30767</b>	Kit, Valve – Standard NBR	1
6107	Oil, Bottle (21 oz) (Fill to Specified Crankcase Capacity Prior to Start-up)	4
6124	Gasket, Liquid (3 oz)	1

**SEAL KITS** One (1) seal kit required per pump

PUMP MODELS	NBR (STD)		
2520	30482		
ITEM (Included in Seal Kits)		DESCRIPTION	QTY
106	43124 *	Seal, Low-Pressure	3
139	29589	Cotterpin	3
101	43126	Wick	3

\*Use PN 43125 for FPM

There is no seal kit for model 2520C – use kit 30482 and additional parts 43272, 43269, 14178 and 14198 in place of 43124

**SLEEVE AND SEAL KIT** One (1) sleeve and seal kit required per pump

PUMP MODELS	NBR (STD)		
2520	30819		
ITEM (Included in Sleeve and Seal Kits)		DESCRIPTION	QTY
75	27786	Slinger, Barrier	3
77	26531 *	O-Ring, Sleeve	6
80	43122	Sleeve	3
101	43126	Wick	3
106	43124**	Seal, Low-Pressure	3
139	29589	Cotterpin	3

\*Use PN 14198 for FPM

\*\*Use PN 43125 for FPM

There is no sleeve and seal kit for model 2520C – use kit 30819 and additional parts 43272, 43269, 14178 and 14198 in place of 43124

**CUP KITS** One (1) cup kit required per pump

Pump Models	NBR (STD)	NBR (HOT)	NBR (ST4-CUP)		
2520	30256	32392	32387		
ITEM (Included in Cup Kits)				DESCRIPTION	QTY
133	28409	29094	76498*	Cup	3
139	29589	29589	29589	Cotterpin	3
143	25495	25495	25495	O-Ring, Cylinder	6
355	27853	—	—	Insertor, Cup	1

\*76498 comes with a FPM O-ring

There is no cup kit for model 2520C – use parts 76498, 29589 and 11748

**PISTON KITS** One (1) piston kit required per pump

PUMP MODELS	NBR (STD)			
2520	30252			
ITEM (Included in Piston Kits)		DESCRIPTION		QTY
119	29240	Valve, Inlet		3
130	27840	Piston		3
133	28409	Cup		3
135	29231	Spacer, Piston		3
136	29239	Retainer, Piston		3
137	27871	Washer, Conical		3
138	27510	Nut, Slotted		3
139	29589	Cotterpin		3
143	25495*	O-Ring, Cylinder		6
355	27853	Insertor, Cup		1

\*Use PN 11748 for FPM or PN 703244 for PTFE

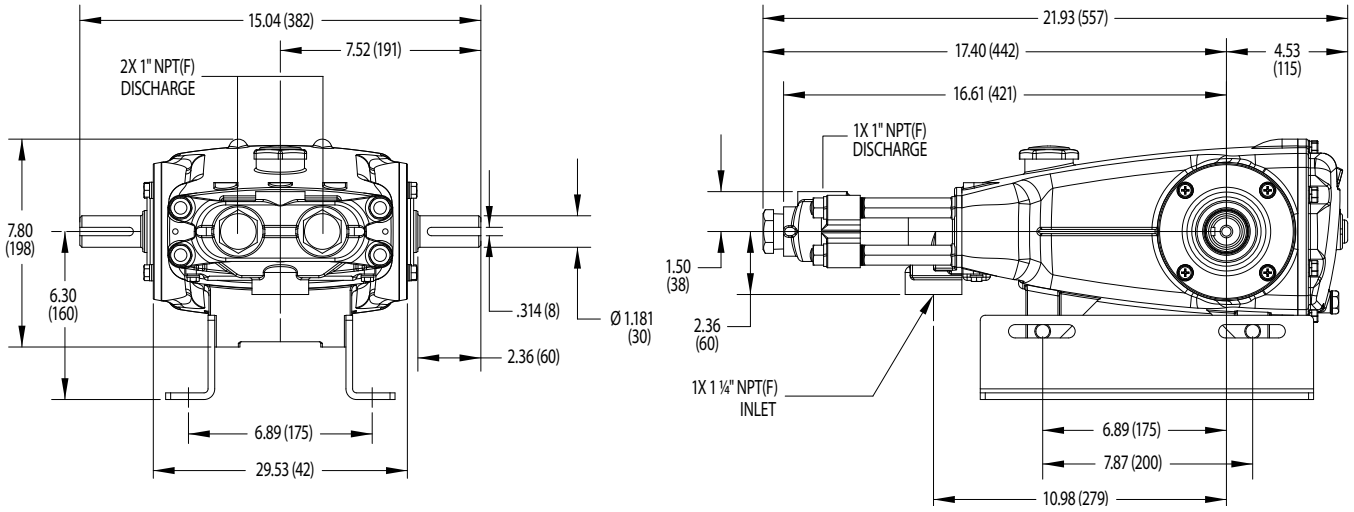
There is no piston kit for model 2520C – use kit 30252 and additional parts 76498 in place of 28409

**VALVE KITS** One (1) valve kit required per pump

PUMP MODELS	NBR (FLAT)			
2520, 2520C	30767			
ITEM (Included in Valve Kits)		DESCRIPTION		QTY
143	25495*	O-Ring, Cylinder		6
163	28395**	O-Ring, Seat		3
164	28396	Seat		3
166	43133	Valve		3
167	26548	Spring		3
168	43134	Retainer, Spring		3

\*Use PN 11748 for FPM

\*\*Use PN 28769 for FPM



Model 2520

**⚠ CAUTIONS AND WARNINGS**

All high-pressure systems require a primary pressure regulating device (e.g. regulator, unloader) and a secondary pressure relief device (e.g. pop-off valve, relief valve). Failure to install such relief devices could result in personal injury or damage to pump or property. Cat Pumps does not assume any liability or responsibility for the operation of a customer's high-pressure system. Read all CAUTIONS and WARNINGS before commencing service or operation of any high-pressure system. The CAUTIONS and WARNINGS are included in each Service Manual and with each Accessory Data sheet. CAUTIONS and WARNINGS can also be viewed online at [www.catpumps.com/dynamic-literature/cautions-and-warnings](http://www.catpumps.com/dynamic-literature/cautions-and-warnings) or can be requested directly from Cat Pumps.

**WARRANTY**

View the Limited Warranty online at [www.catpumps.com/literature/cat-pumps-limited-warranty](http://www.catpumps.com/literature/cat-pumps-limited-warranty)